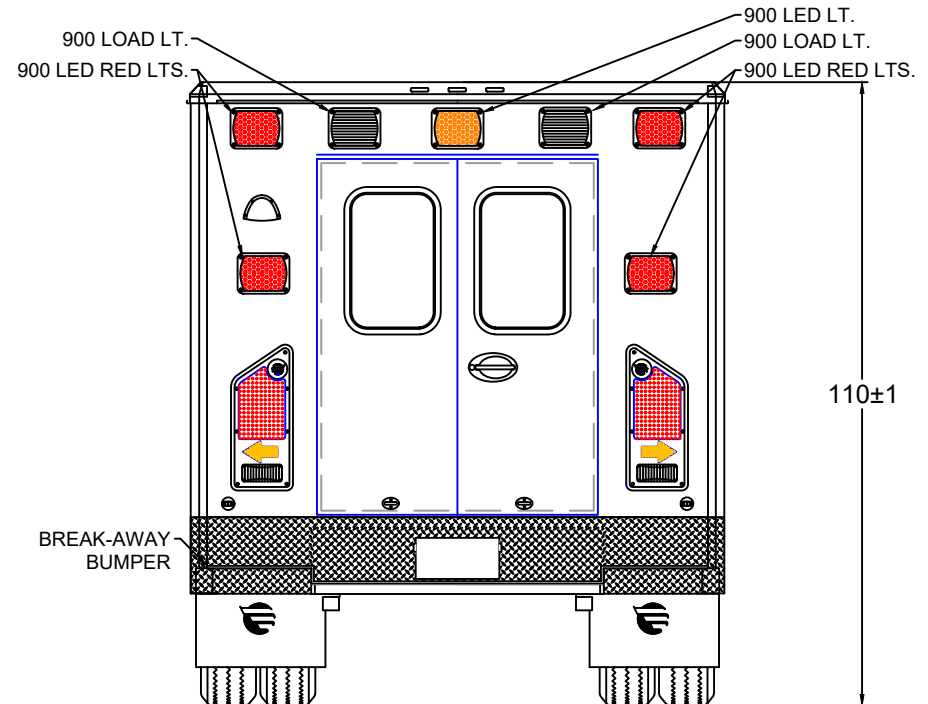
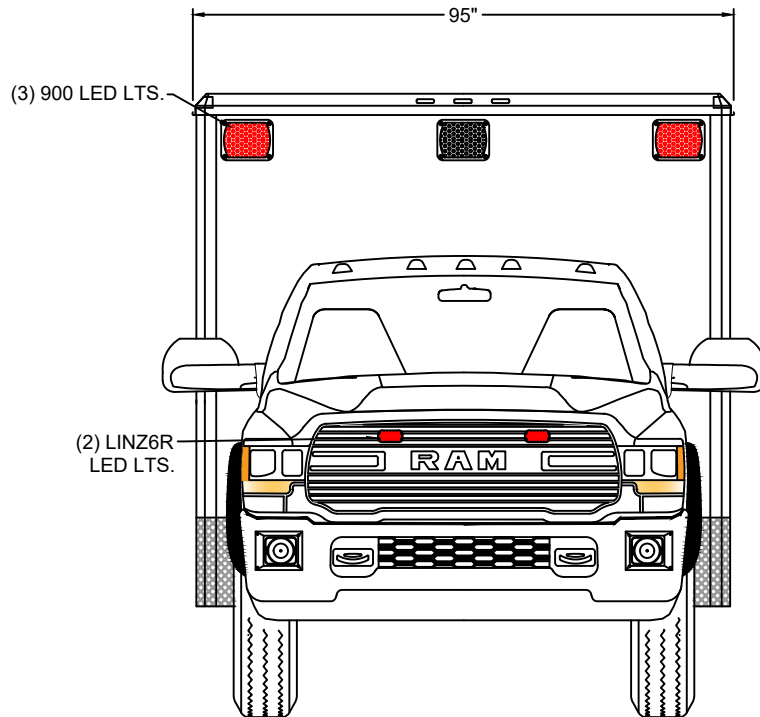


CA101740

MODEL 1153 DODGE

153 x 95 x 72



EXTERIOR COMPARTMENT DIMENSIONS IN INCHES

INTERIOR DIMENSIONS				PASS THRU		INTERIOR DIMENSIONS				JAMB OPENING	
COMPT.	HEIGHT	WIDTH	DEPTH	HEIGHT	WIDTH	COMPT.	HEIGHT	WIDTH	DEPTH	HEIGHT	WIDTH



TYPE 1 DODGE
FRONT / REAR
EXTERIOR VIEWS

BE ADVISED THAT THESE ARE PRELIMINARY LAYOUTS INTENDED TO ILLUSTRATE DESIGN INTENT AND DIMENSIONS ARE FOR REFERENCE ONLY PRIOR TO FINAL ENGINEERING

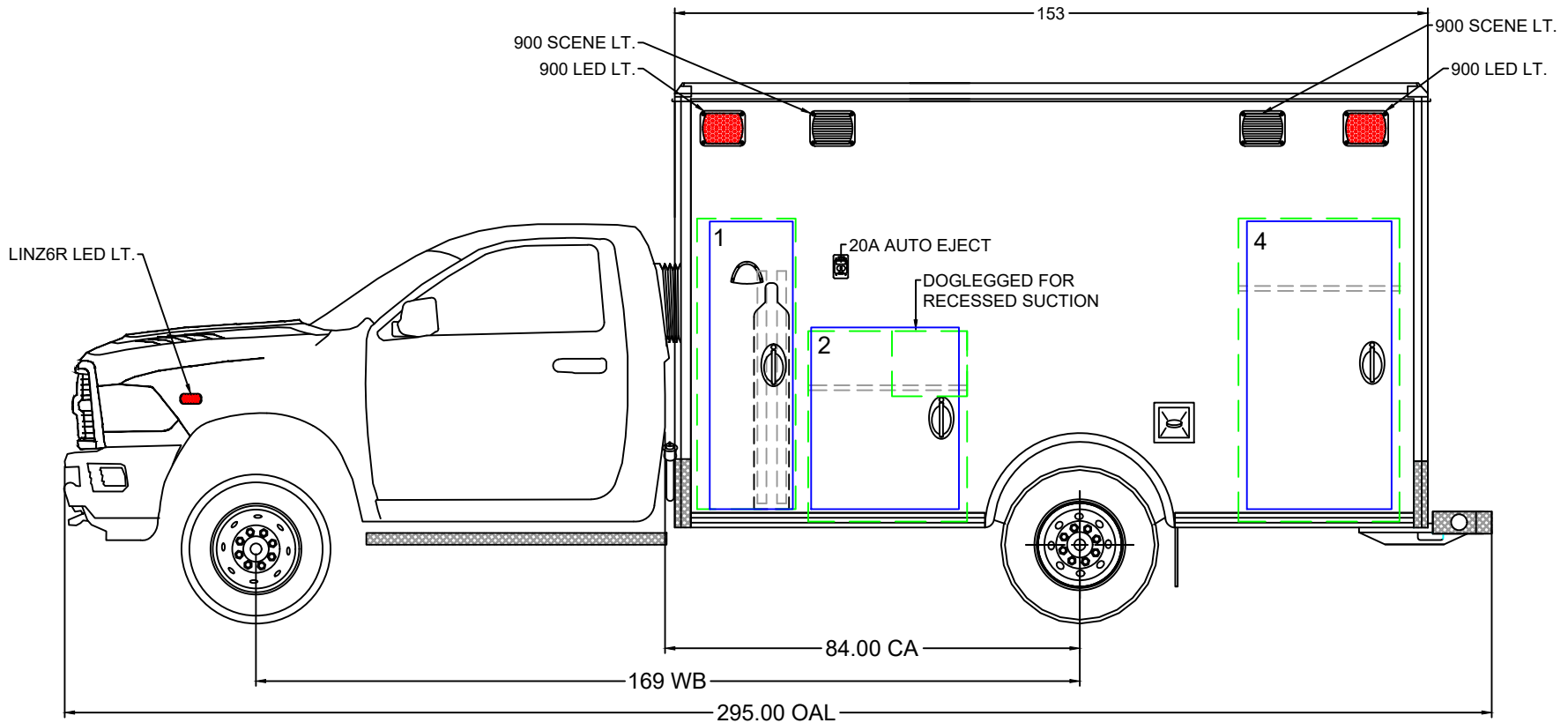
DATE:	2/24/21	SCALE
DWN BY:	AP	DWG NO 1 / 9

50" AISLE

CA101740

MODEL 1153 DODGE

153 x 95 x 72



BE ADVISED THAT THESE ARE PRELIMINARY LAYOUTS INTENDED TO ILLUSTRATE DESIGN INTENT AND DIMENSIONS ARE FOR REFERENCE ONLY PRIOR TO FINAL ENGINEERING

EXTERIOR COMPARTMENT DIMENSIONS IN INCHES

INTERIOR DIMENSIONS				JAMB OPENING		INTERIOR DIMENSIONS				JAMB OPENING	
COMPT.	HEIGHT	WIDTH	DEPTH	HEIGHT	WIDTH	COMPT.	HEIGHT	WIDTH	DEPTH	HEIGHT	WIDTH
4	61.50	32.75	17.00	58.50	29.50						
2	38.75	32.25	17.00	37.00	30.00						
1	59.00	20.00	17.00	58.50	16.75						



TYPE 1 DODGE
LEFT EXT. VIEW

DATE 2/24/21

SCALE

DRAWN BY AP

DWG NO

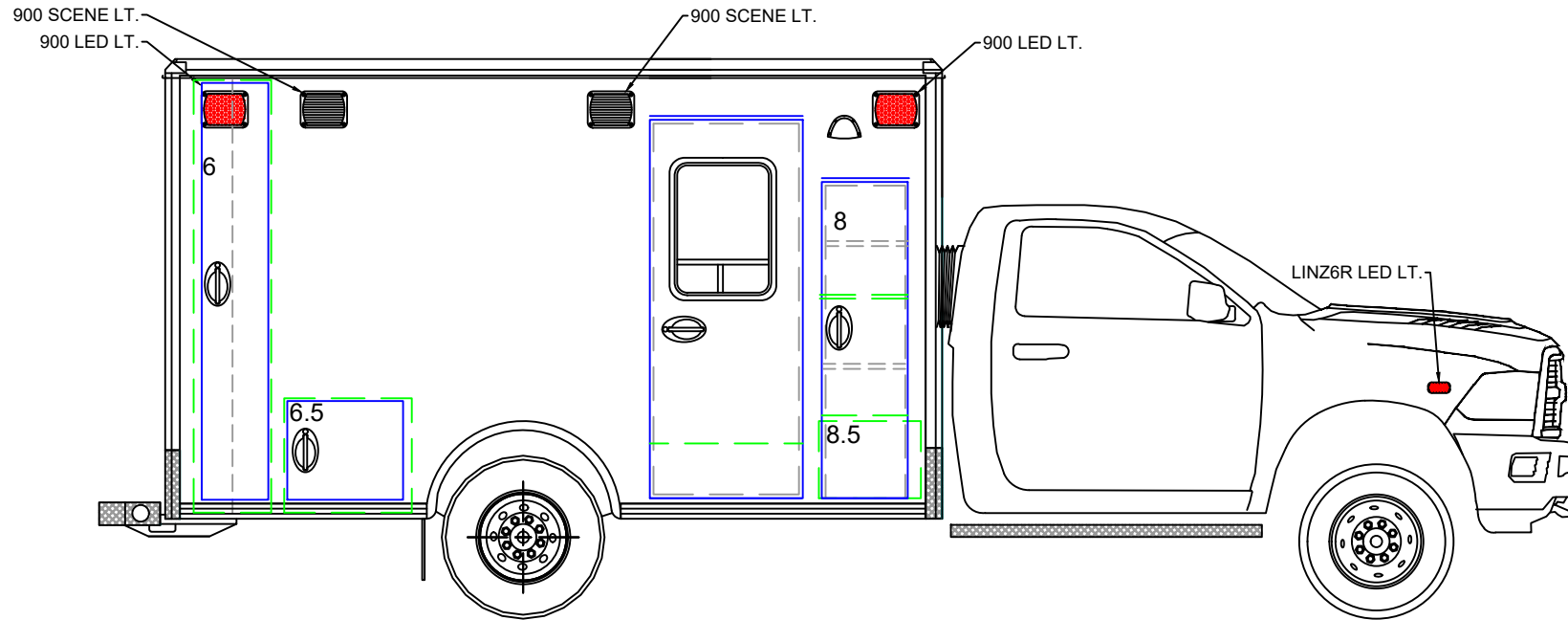
2 / 9

50" AISLE

CA101740

MODEL 1153 DODGE

153 x 95 x 72



BE ADVISED THAT THESE ARE PRELIMINARY LAYOUTS INTENDED TO ILLUSTRATE DESIGN INTENT AND DIMENSIONS ARE FOR REFERENCE ONLY PRIOR TO FINAL ENGINEERING

EXTERIOR COMPARTMENT DIMENSIONS IN INCHES

INTERIOR DIMENSIONS				JAMB OPENING		INTERIOR DIMENSIONS				JAMB OPENING	
COMPT.	HEIGHT	WIDTH	DEPTH	HEIGHT	WIDTH	COMPT.	HEIGHT	WIDTH	DEPTH	HEIGHT	WIDTH
8				65.50	16.75						
8.5	15.50	20.00	19.00								
6.5	22.25	25.00	17.00	19.25	22.75						
6	85.00	15.25	18.50	82.00	13.00						



TYPE 1 DODGE

RIGHT EXT. VIEW

DATE 2/24/21

SCALE

DRAWN BY AP

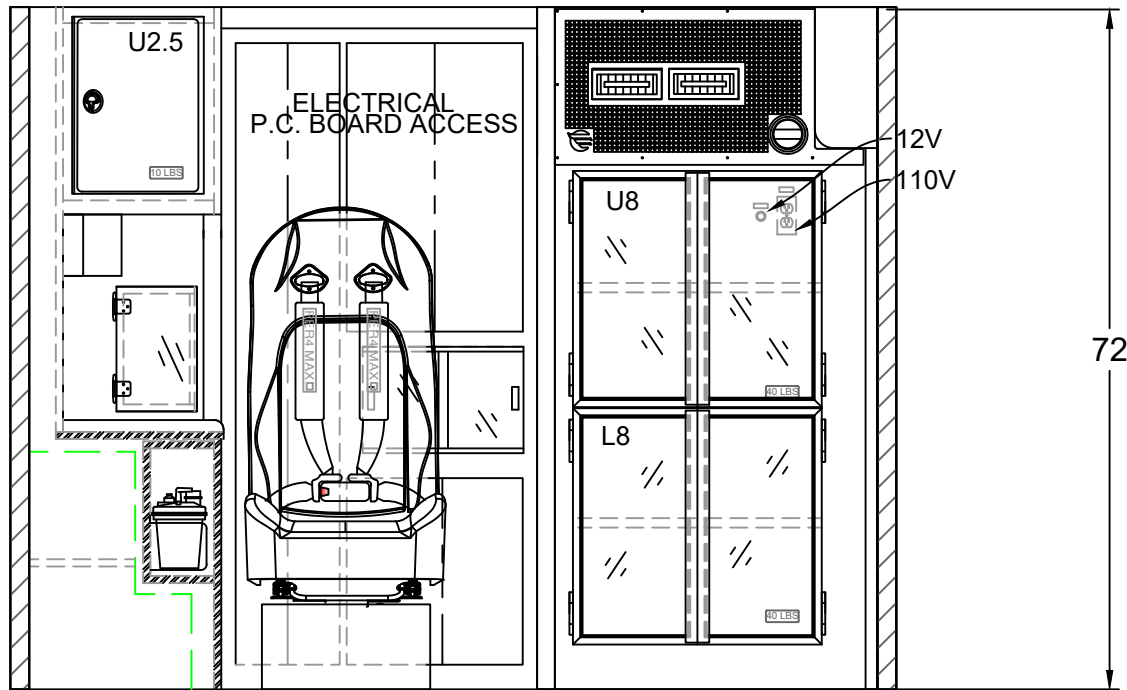
DWG NO 3 / 9

50" AISLE


CA101740

MODEL 1153 DODGE

153 x 95 x 72



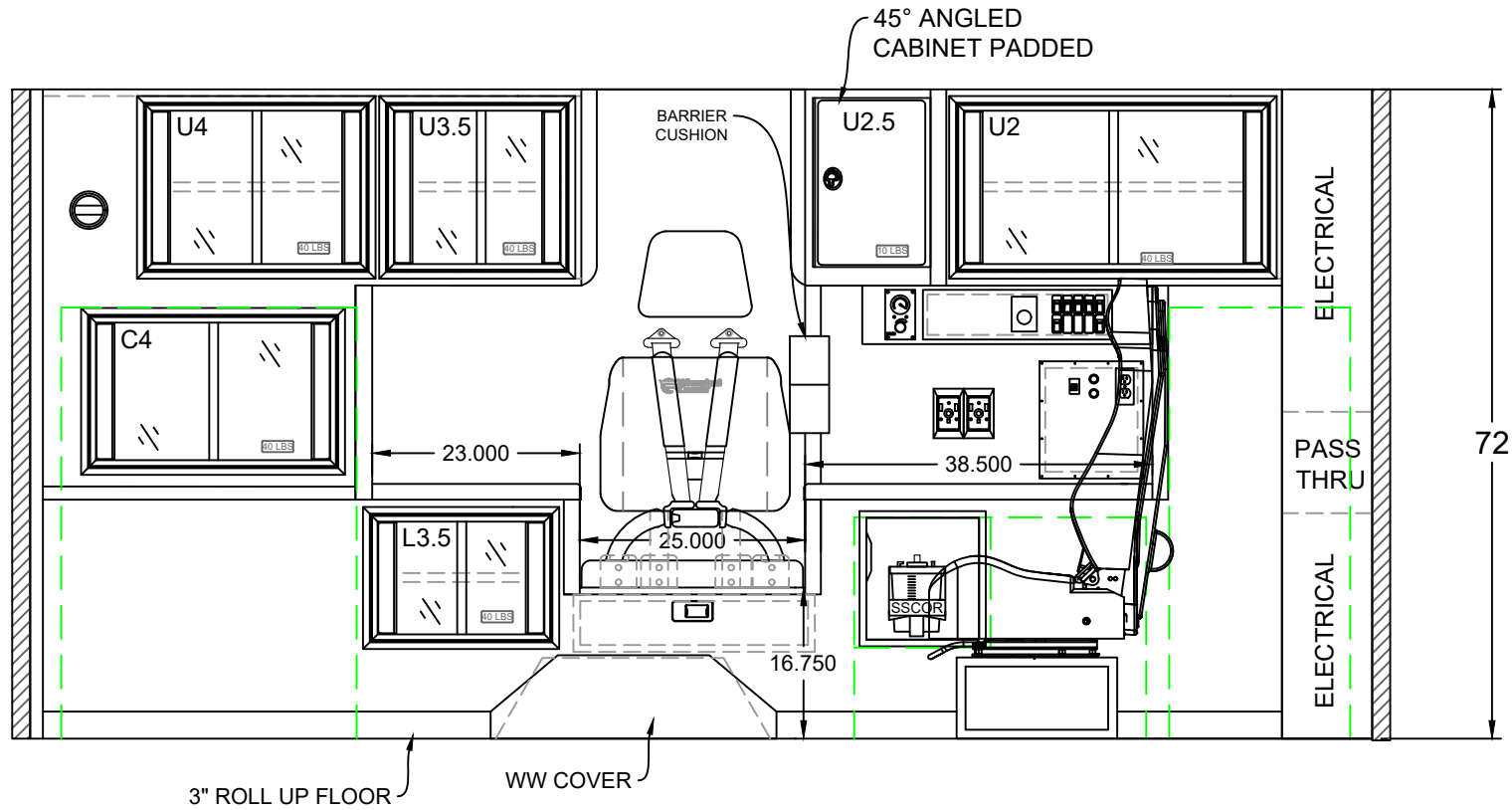
BE ADVISED THAT THESE ARE PRELIMINARY LAYOUTS INTENDED TO ILLUSTRATE DESIGN INTENT AND DIMENSIONS ARE FOR REFERENCE ONLY PRIOR TO FINAL ENGINEERING

<p>CABINET WEIGHT RATINGS: NON-RESTOCKING = 40 LBS. RESTOCKING = 30 LBS.</p>	<p>INTERIOR CABINET DIMENSIONS IN INCHES</p>								 <p>TYPE 1 DODGE BULKHEAD INTERIOR</p>
	CABINET	HEIGHT	WIDTH	DEPTH	CABINET	HEIGHT	WIDTH	DEPTH	
	U8	24.50	33.50	20.00					
	L8	24.50	33.50	20.00					
								DATE 2/24/21	SCALE
50" AISLE								DRAWN BY AP	DWG NO 4 / 9

CA101740

MODEL 1153 DODGE

153 x 95 x 72



INTERIOR CABINET DIMENSIONS IN INCHES

CABINET	HEIGHT	WIDTH	DEPTH		CABINET	HEIGHT	WIDTH	DEPTH	
C4	17.00	28.75	IS/OS		L3.5	14.25	20.25	18.25	
U4	18.75	25.00	18.25		CPR	4.50	23.50	18.25	
U3.5	18.75	20.25	18.25						
U2.5	19.00	16.25	16.00						
U2	18.75	34.75	16.00						



TYPE 1 DODGE

LEFT INTERIOR

DATE:	2/24/21	SCALE:	
DWN BY:	AP	DWG NO:	5 / 9

50" AISLE

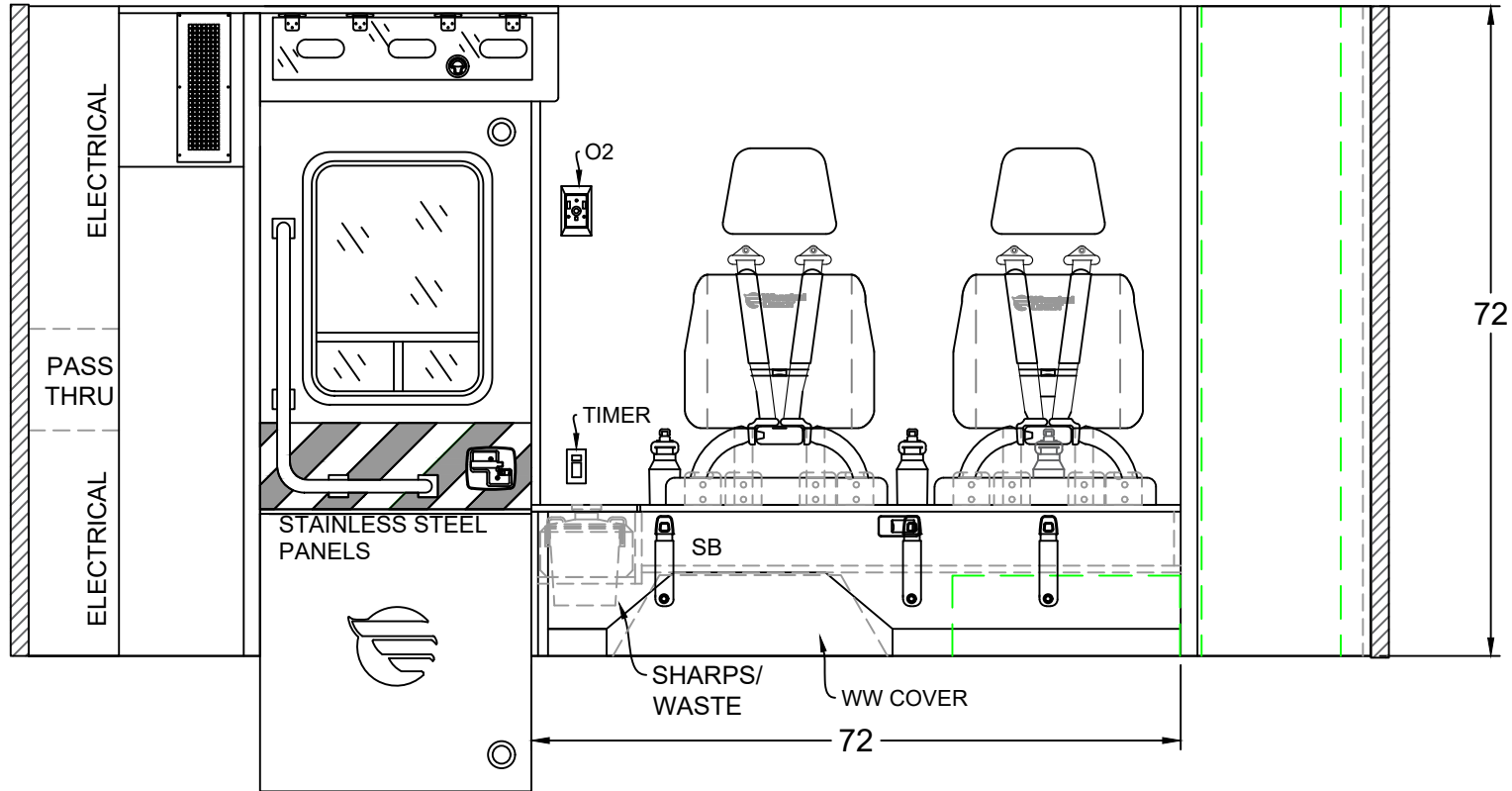
CABINET WEIGHT RATINGS:
NON-RESTOCKING = 40 LBS.
RESTOCKING = 30 LBS.

BE ADVISED THAT THESE ARE PRELIMINARY LAYOUTS INTENDED TO ILLUSTRATE DESIGN INTENT AND DIMENSIONS ARE FOR REFERENCE ONLY PRIOR TO FINAL ENGINEERING

CA101740

MODEL 1153 DODGE

153 x 95 x 72



INTERIOR CABINET DIMENSIONS IN INCHES



TYPE 1 DODGE
RIGHT INTERIOR

COMPT.	HEIGHT	WIDTH	DEPTH		COMPT.	HEIGHT	WIDTH	DEPTH	
SB	5.75	60.75	16.75						

50" AISLE

CABINET WEIGHT RATINGS:
NON-RESTOCKING = 40 LBS.
RESTOCKING = 30 LBS.

BE ADVISED THAT THESE ARE PRELIMINARY LAYOUTS INTENDED TO ILLUSTRATE DESIGN INTENT AND DIMENSIONS ARE FOR REFERENCE ONLY PRIOR TO FINAL ENGINEERING

DATE: 2/24/21

SCALE

DWN BY

AP

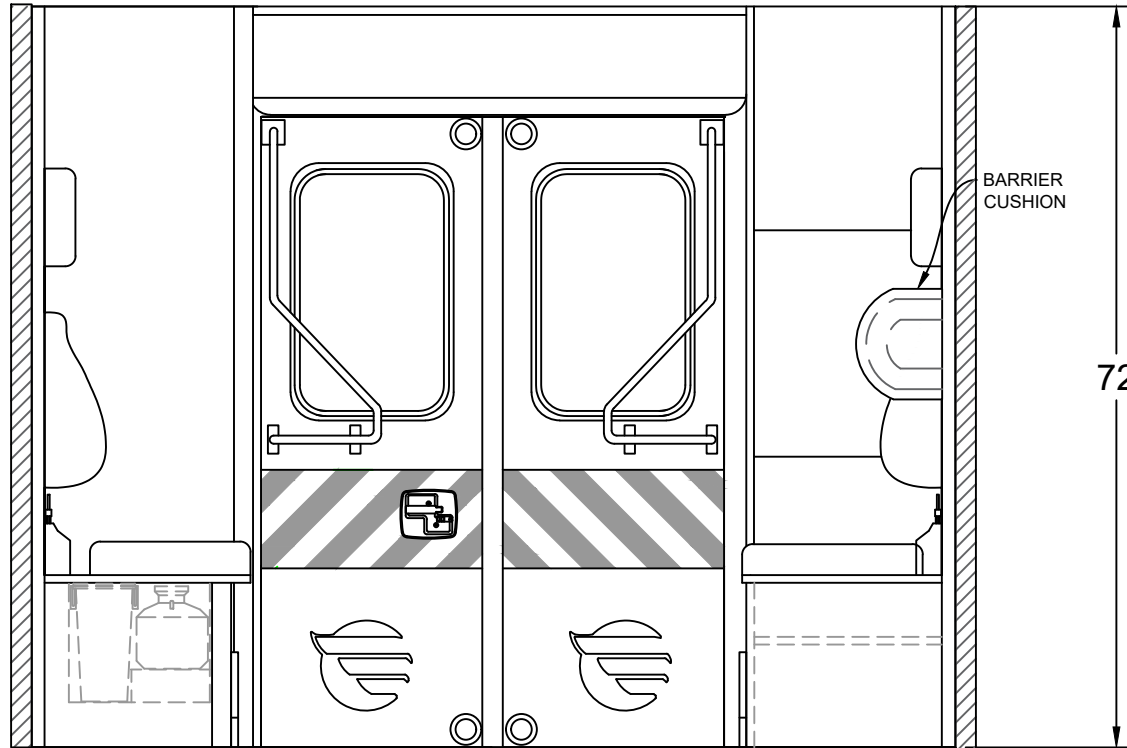
DWG NO

6 / 9

CA101740

MODEL 1153 DODGE

153 x 95 x 72



INTERIOR CABINET DIMENSIONS IN INCHES



TYPE 1 DODGE

REAR BULKHEAD INTERIOR

DATE: 2/24/21

SCALE

DRAWN BY

AP

DWG NO

7 / 9

COMPT.

HEIGHT

WIDTH

DEPTH

COMPT.

HEIGHT

WIDTH

DEPTH

50" AISLE

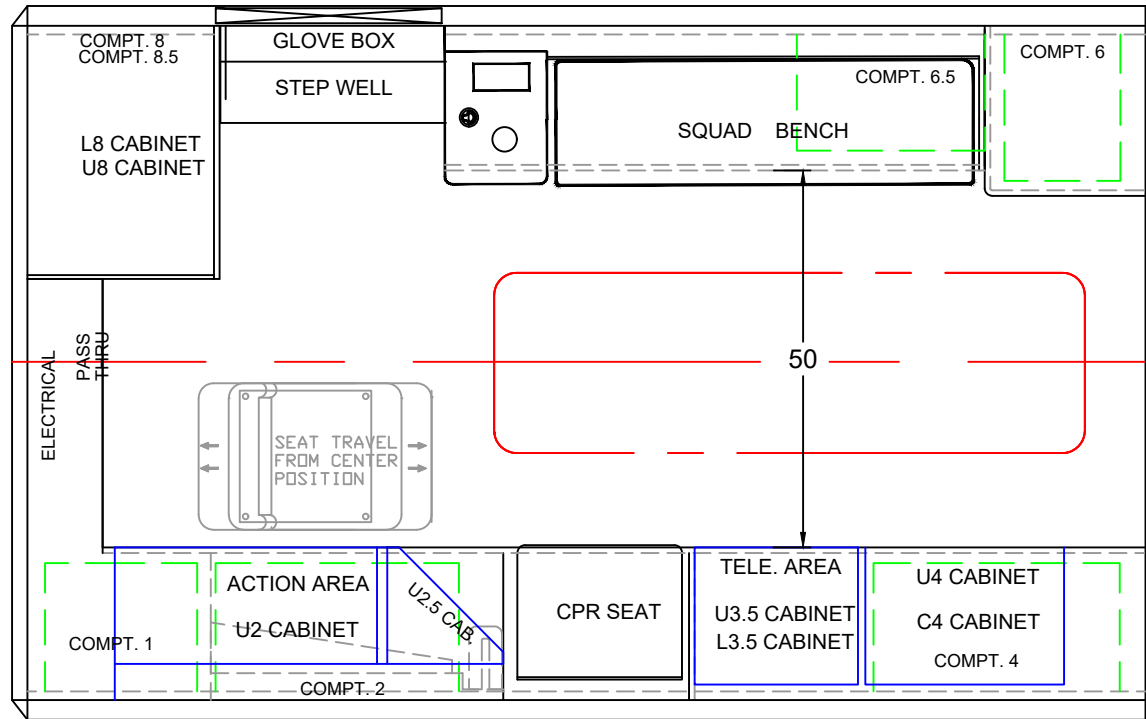
CABINET WEIGHT RATINGS:
NON-RESTOCKING = 40 LBS.
RESTOCKING = 30 LBS.

BE ADVISED THAT THESE ARE PRELIMINARY LAYOUTS INTENDED TO ILLUSTRATE DESIGN INTENT AND DIMENSIONS ARE FOR REFERENCE ONLY PRIOR TO FINAL ENGINEERING

CA101740

MODEL 1153 DODGE

153 x 95 x 72



BE ADVISED THAT THESE ARE PRELIMINARY LAYOUTS INTENDED TO ILLUSTRATE DESIGN INTENT AND DIMENSIONS ARE FOR REFERENCE ONLY PRIOR TO FINAL ENGINEERING

INTERIOR CABINET DIMENSIONS IN INCHES

CABINET	HEIGHT	WIDTH	DEPTH	CABINET	HEIGHT	WIDTH	DEPTH



TYPE 1 DODGE
FLOOR PLAN

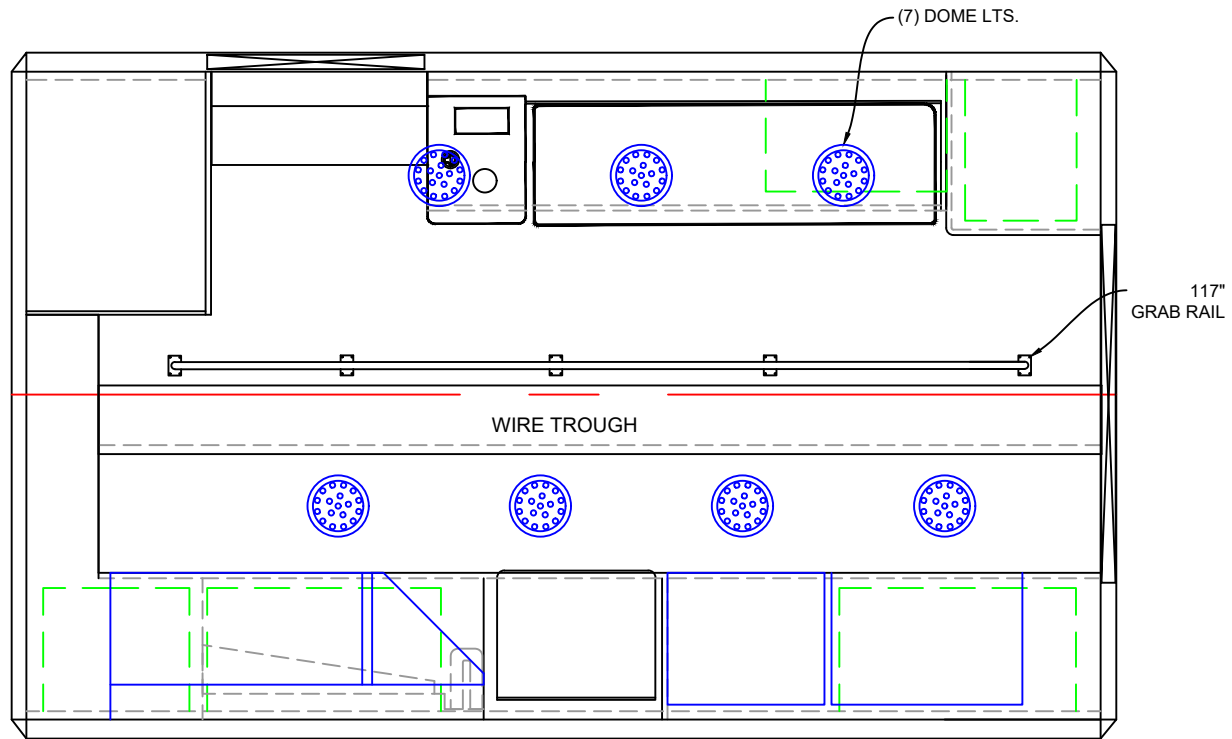
DATE:	2/24/21	SCALE:	
DWN BY:	AP	DWG NO:	8 / 9

50" AISLE

CA101740

MODEL 1153 DODGE

153 x 95 x 72



BE ADVISED THAT THESE ARE PRELIMINARY LAYOUTS INTENDED TO ILLUSTRATE DESIGN INTENT AND DIMENSIONS ARE FOR REFERENCE ONLY PRIOR TO FINAL ENGINEERING

INTERIOR CABINET DIMENSIONS IN INCHES

CABINET	HEIGHT	WIDTH	DEPTH	CABINET	HEIGHT	WIDTH	DEPTH



TYPE 1 DODGE

LINER

DATE: 2/24/21

SCALE

DWN BY: AP

DWG NO: 9 / 9

50" AISLE