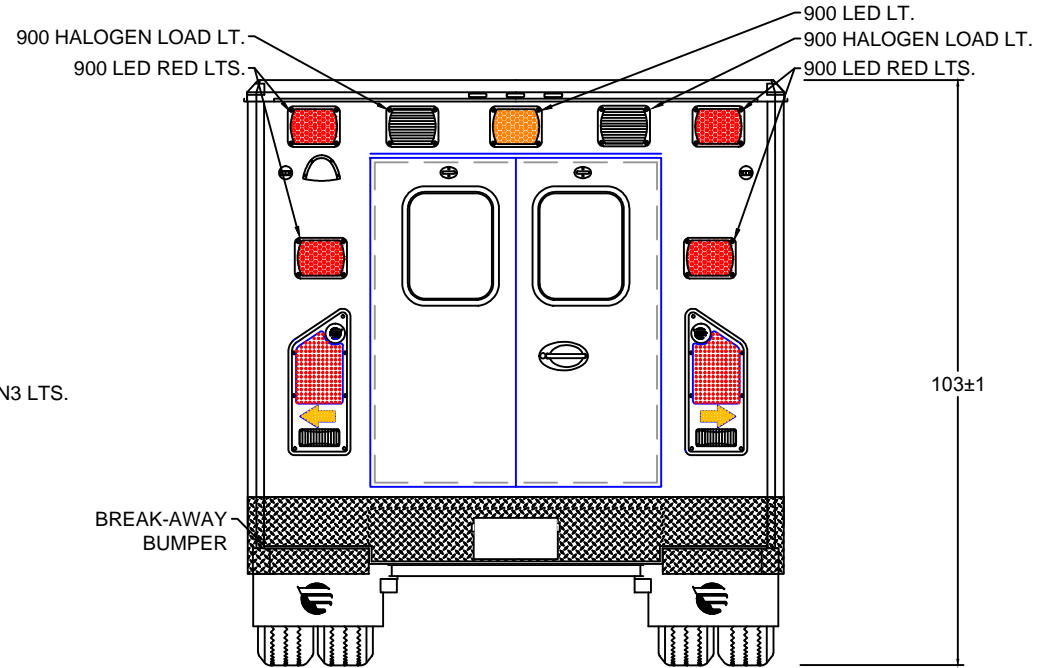
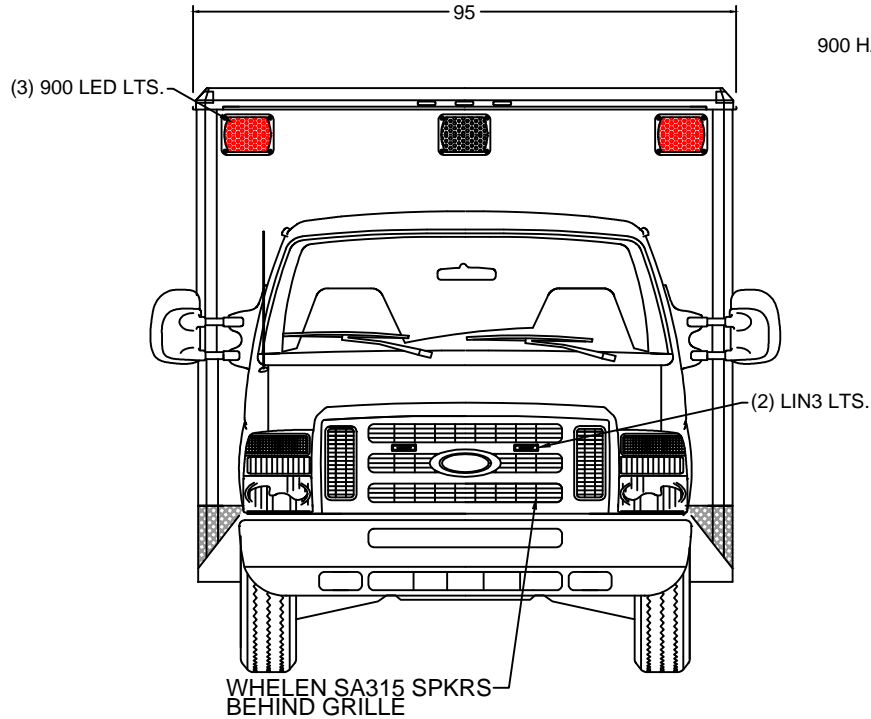


CA151496

MODEL 3153F

153 x 95 x 67



EXTERIOR COMPARTMENT DIMENSIONS IN INCHES

INTERIOR DIMENSIONS				PASS THRU		INTERIOR DIMENSIONS				JAMB OPENING	
COMPT.	HEIGHT	WIDTH	DEPTH	HEIGHT	WIDTH	COMPT.	HEIGHT	WIDTH	DEPTH	HEIGHT	WIDTH



TYPE 3 FORD
FRONT / REAR
EXTERIOR VIEWS

BE ADVISED THAT THESE ARE PRELIMINARY LAYOUTS INTENDED TO ILLUSTRATE DESIGN INTENT AND DIMENSIONS ARE FOR REFERENCE ONLY PRIOR TO FINAL ENGINEERING

DATE: 04/19/18

SCALE

DWN BY: SG

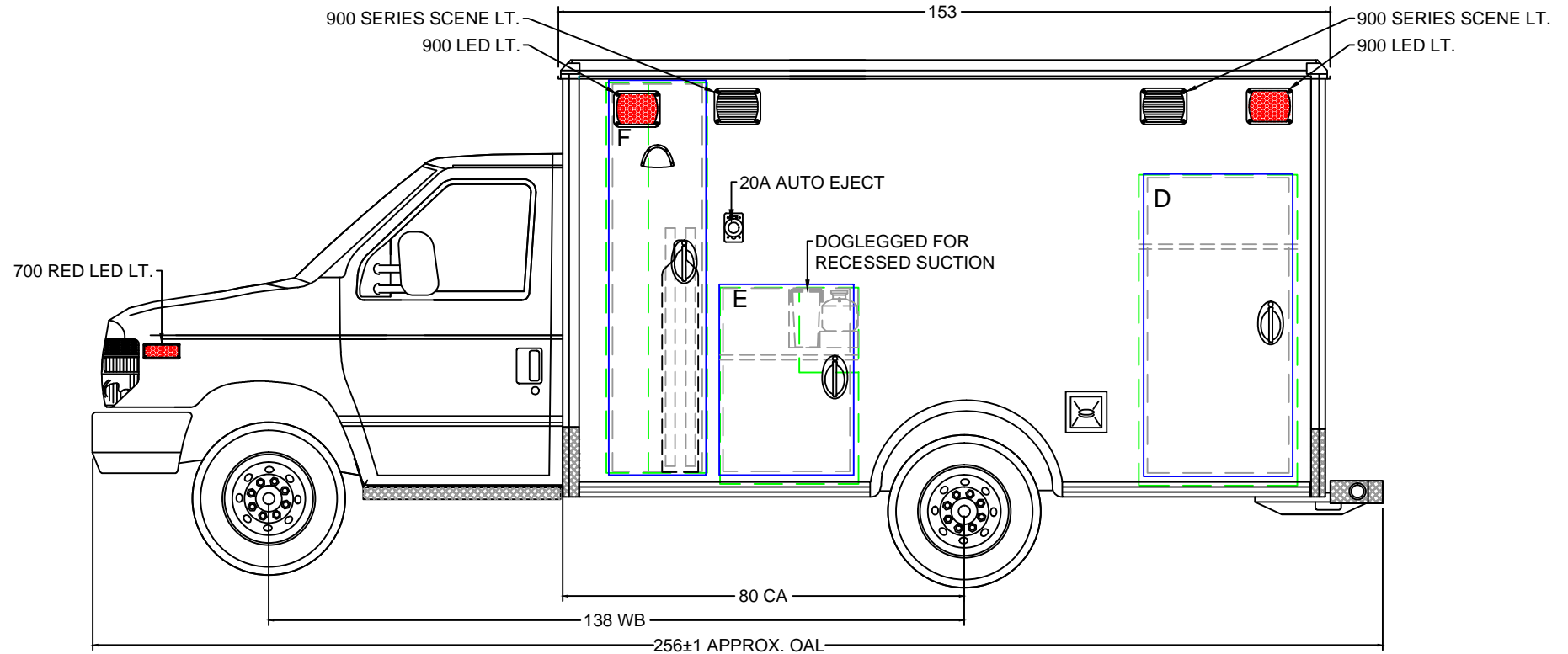
DWG NO: 1 / 9

50" AISLE

CA151496

MODEL 3153F

153 x 95 x 67



BE ADVISED THAT THESE ARE PRELIMINARY LAYOUTS INTENDED TO ILLUSTRATE DESIGN INTENT AND DIMENSIONS ARE FOR REFERENCE ONLY PRIOR TO FINAL ENGINEERING

EXTERIOR COMPARTMENT DIMENSIONS IN INCHES

INTERIOR DIMENSIONS				JAMB OPENING		INTERIOR DIMENSIONS				JAMB OPENING	
COMPT.	HEIGHT	WIDTH	DEPTH	HEIGHT	WIDTH	COMPT.	HEIGHT	WIDTH	DEPTH	HEIGHT	WIDTH
D	61.50	31.50	17.00	58.50	28.00						
E	39.00	27.50	17.00	37.00	25.00						
F	77.50	20.00	17.00	76.75	17.00						



TYPE 3 FORD

LEFT EXT. VIEW

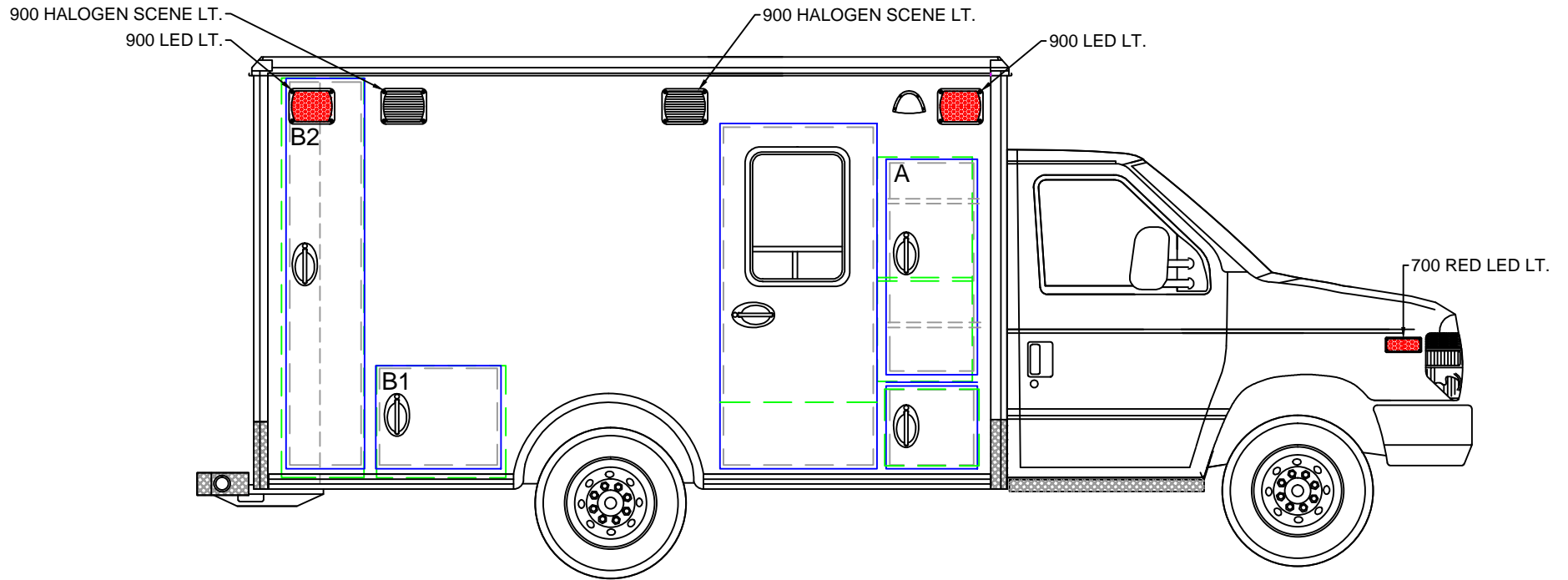
DATE	04/19/18	SCALE	
DRAWN BY	SG	DWG NO	2 / 9

50" AISLE

CA151496

MODEL 3153F

153 x 95 x 67



BE ADVISED THAT THESE ARE PRELIMINARY LAYOUTS INTENDED TO ILLUSTRATE DESIGN INTENT AND DIMENSIONS ARE FOR REFERENCE ONLY PRIOR TO FINAL ENGINEERING

EXTERIOR COMPARTMENT DIMENSIONS IN INCHES

INTERIOR DIMENSIONS				JAMB OPENING		INTERIOR DIMENSIONS				JAMB OPENING	
COMPT.	HEIGHT	WIDTH	DEPTH	HEIGHT	WIDTH	COMPT.	HEIGHT	WIDTH	DEPTH	HEIGHT	WIDTH
A	45.00	19.00	33.50	41.75	16.75						
LOWER-A	15.25	19.00	18.75	15.00	16.75						
B1	22.50	26.00	15.50	19.50	23.50						
B2	80.25	16.50	18.25	76.75	14.25						



TYPE 3 FORD

RIGHT EXT. VIEW

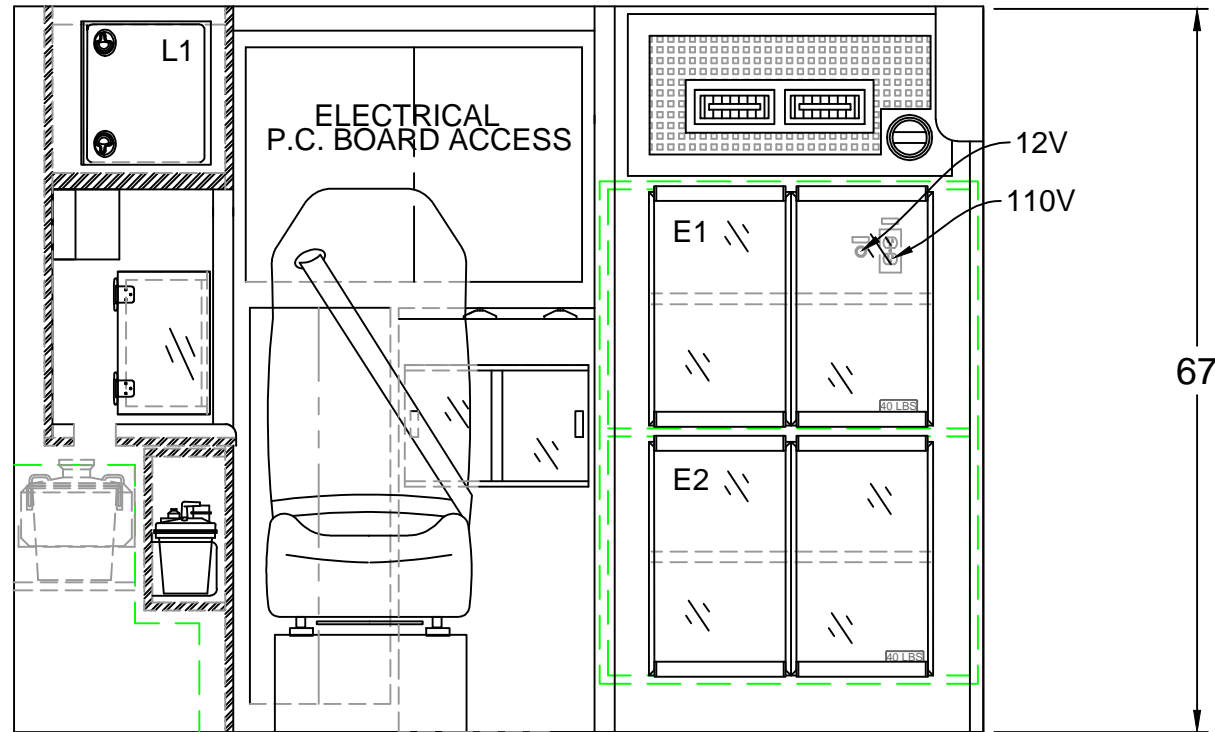
DATE	04/19/18	SCALE	
DRAWN BY	SG	DWG NO	3 / 9

50" AISLE


CA151496

MODEL 3153F

153 x 95 x 67



BE ADVISED THAT THESE ARE PRELIMINARY LAYOUTS INTENDED TO ILLUSTRATE DESIGN INTENT AND DIMENSIONS ARE FOR REFERENCE ONLY PRIOR TO FINAL ENGINEERING

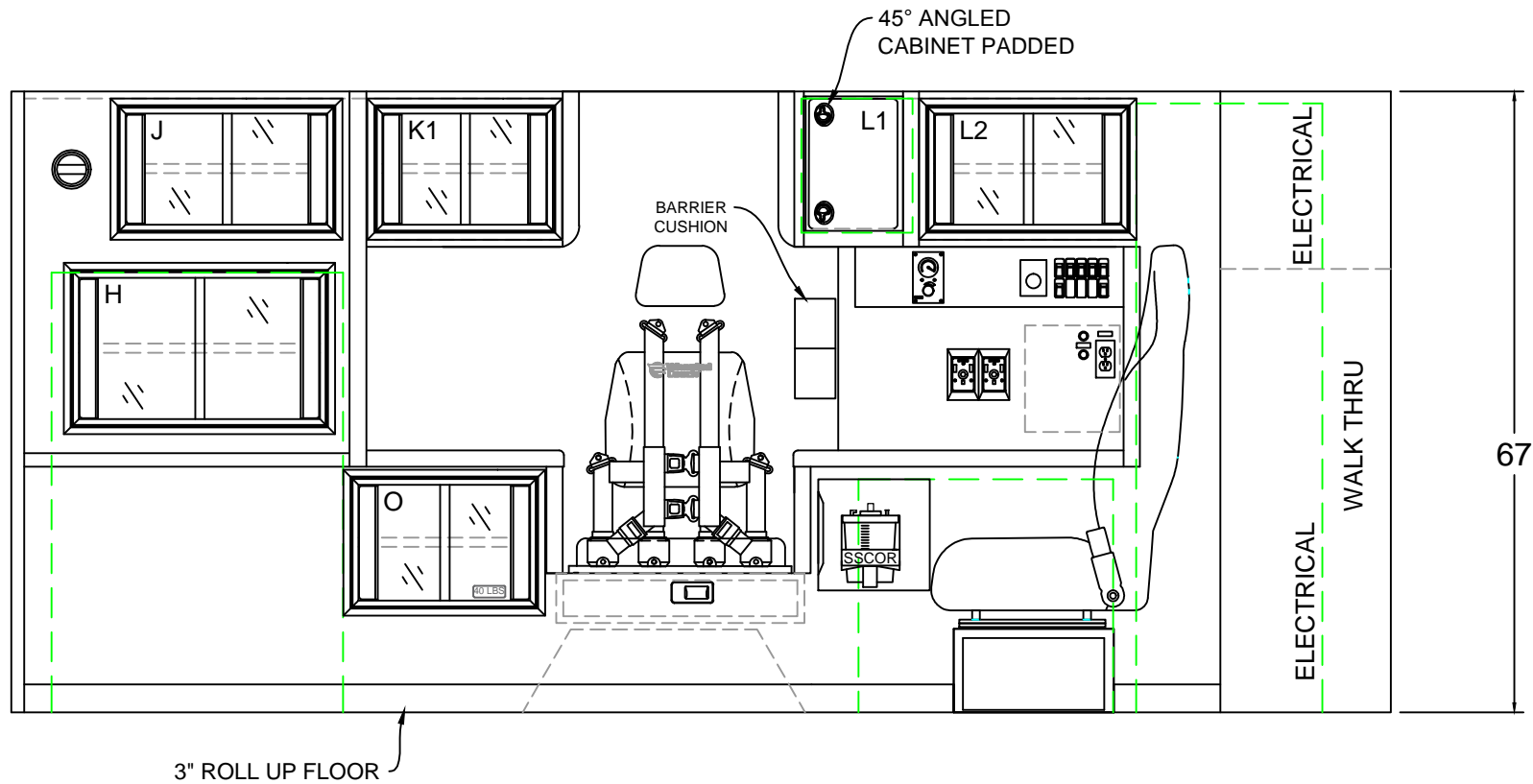
CABINET WEIGHT RATINGS: NON-RESTOCKING = 40 LBS. RESTOCKING = 30 LBS.	INTERIOR CABINET DIMENSIONS IN INCHES								
	CABINET	HEIGHT	WIDTH	DEPTH	CABINET	HEIGHT	WIDTH	DEPTH	
	E1	22.00	33.50	19.00					
	E2	22.00	33.50	19.00					
								DATE 04/19/18 SCALE	
								DRAWN BY SG DWG NO 4 / 9	

50" AISLE

CA151496

MODEL 3153F

153 x 95 x 67



INTERIOR CABINET DIMENSIONS IN INCHES

CABINET	HEIGHT	WIDTH	DEPTH		CABINET	HEIGHT	WIDTH	DEPTH	
H	17.00	27.75	IS/OS		L2	13.75	22.00	15.25	
J	13.75	23.50	17.50		O	14.25	20.25	17.50	
K1	13.75	19.50	17.50						
L1	14.50	12.00	15.25						



TYPE 3 FORD
LEFT INTERIOR

DATE: 04/19/18 SCALE:
DWN BY: SG DWG NO: 5 / 9

50" AISLE

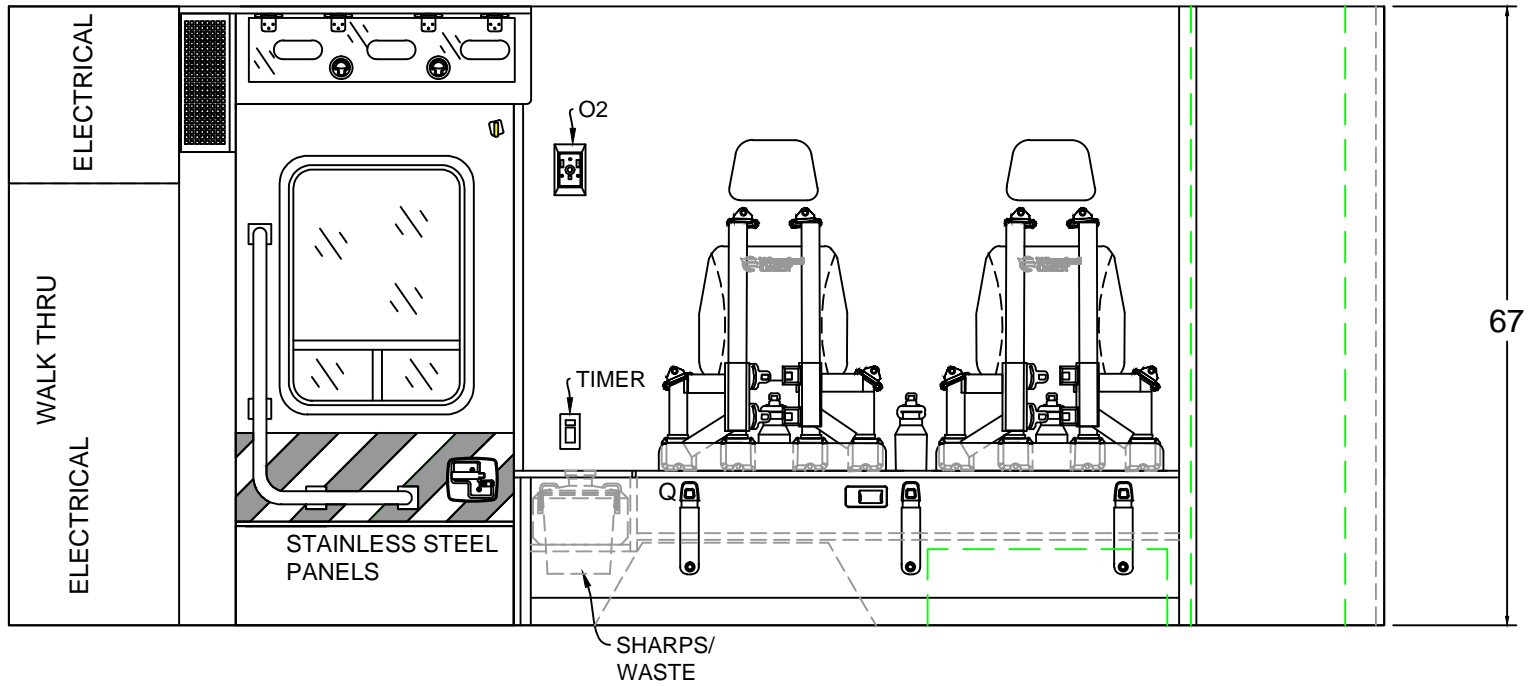
CABINET WEIGHT RATINGS:
NON-RESTOCKING = 40 LBS.
RESTOCKING = 30 LBS.

BE ADVISED THAT THESE ARE PRELIMINARY LAYOUTS INTENDED TO ILLUSTRATE DESIGN INTENT AND DIMENSIONS ARE FOR REFERENCE ONLY PRIOR TO FINAL ENGINEERING

CA151496

MODEL 3153F

153 x 95 x 67



INTERIOR CABINET DIMENSIONS IN INCHES

COMPT.	HEIGHT	WIDTH	DEPTH		COMPT.	HEIGHT	WIDTH	DEPTH	
Q	6.00	58.00	16.75						

50" AISLE

CABINET WEIGHT RATINGS:
NON-RESTOCKING = 40 LBS.
RESTOCKING = 30 LBS.

BE ADVISED THAT THESE ARE PRELIMINARY LAYOUTS INTENDED TO ILLUSTRATE DESIGN INTENT AND DIMENSIONS ARE FOR REFERENCE ONLY PRIOR TO FINAL ENGINEERING



TYPE 3 FORD
RIGHT INTERIOR

DATE: 04/19/18

SCALE

DRAWN BY

SG

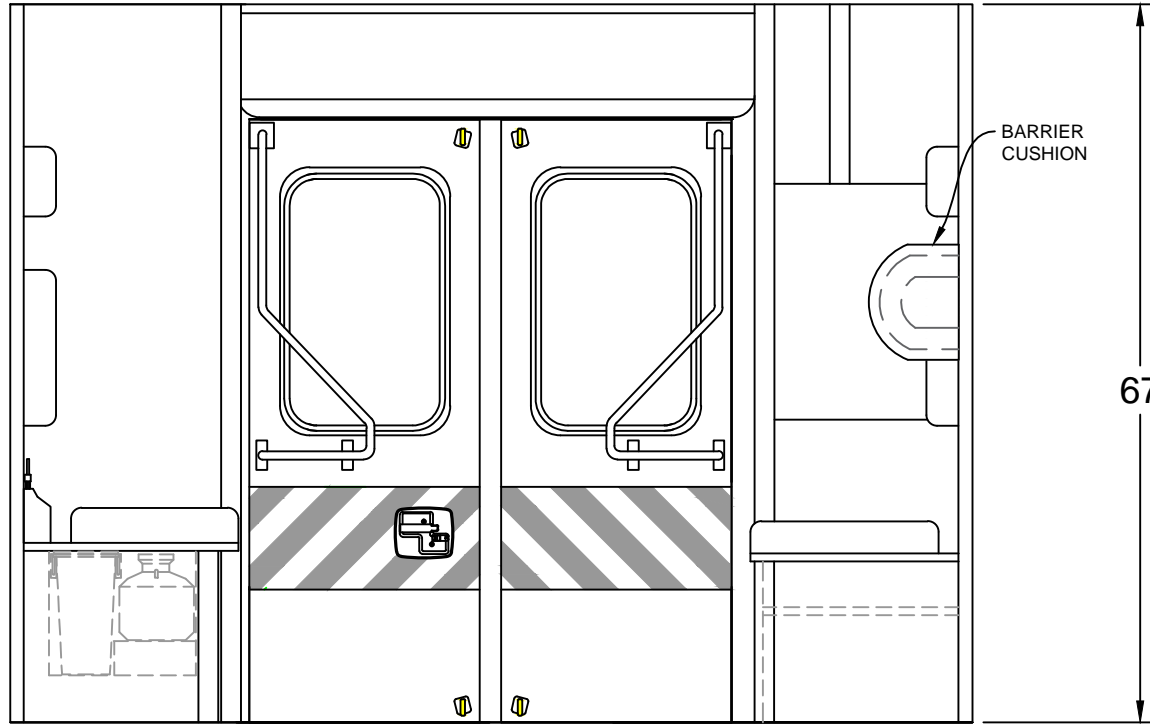
DWG NO

6 / 9

CA151496

MODEL 3153F

153 x 95 x 67



INTERIOR CABINET DIMENSIONS IN INCHES



COMPT.	HEIGHT	WIDTH	DEPTH		COMPT.	HEIGHT	WIDTH	DEPTH	

TYPE 3 FORD
REAR BULKHEAD INTERIOR

50" AISLE

CABINET WEIGHT RATINGS:
NON-RESTOCKING = 40 LBS.
RESTOCKING = 30 LBS.

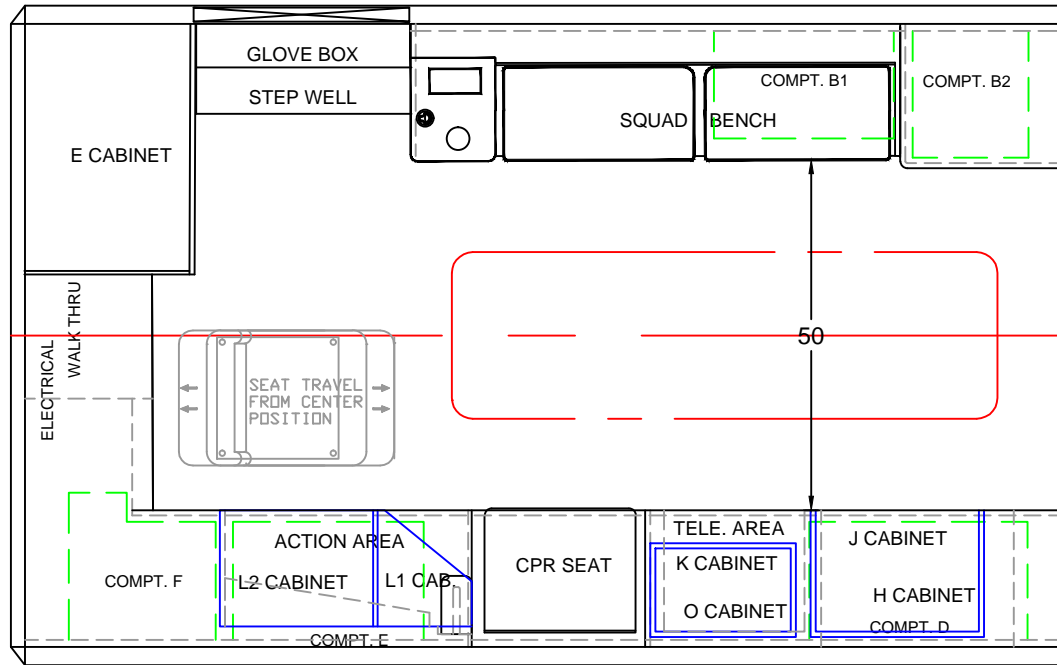
BE ADVISED THAT THESE ARE PRELIMINARY LAYOUTS INTENDED TO ILLUSTRATE DESIGN INTENT AND DIMENSIONS ARE FOR REFERENCE ONLY PRIOR TO FINAL ENGINEERING

DATE:	04/19/18	SCALE	
DWN BY:	SG	DWG NO:	7 / 9

CA151496

MODEL 3153F

153 x 95 x 67



BE ADVISED THAT THESE ARE PRELIMINARY LAYOUTS INTENDED TO ILLUSTRATE DESIGN INTENT AND DIMENSIONS ARE FOR REFERENCE ONLY PRIOR TO FINAL ENGINEERING

INTERIOR CABINET DIMENSIONS IN INCHES

CABINET	HEIGHT	WIDTH	DEPTH	CABINET	HEIGHT	WIDTH	DEPTH



TYPE 3 FORD
FLOOR PLAN

DATE: 04/19/18

SCALE

DWN BY: SG

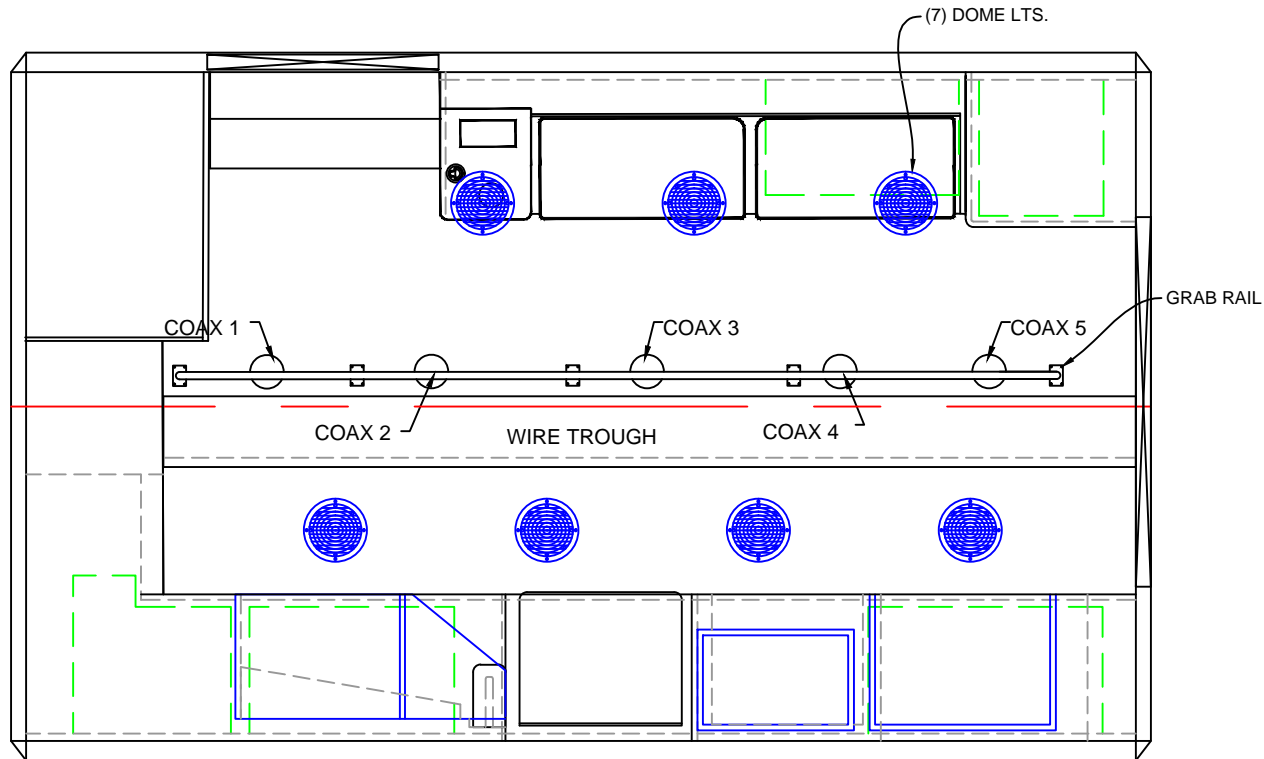
DWG NO: 8 / 9

50" AISLE

CA151496

MODEL 3153F

153 x 95 x 67



BE ADVISED THAT THESE ARE PRELIMINARY LAYOUTS INTENDED TO ILLUSTRATE DESIGN INTENT AND DIMENSIONS ARE FOR REFERENCE ONLY PRIOR TO FINAL ENGINEERING

INTERIOR CABINET DIMENSIONS IN INCHES

CABINET	HEIGHT	WIDTH	DEPTH	CABINET	HEIGHT	WIDTH	DEPTH



TYPE 3 FORD
LINER

DATE: 04/19/18 SCALE:
OWN BY: SG DWG NO: 9 / 9

50" AISLE