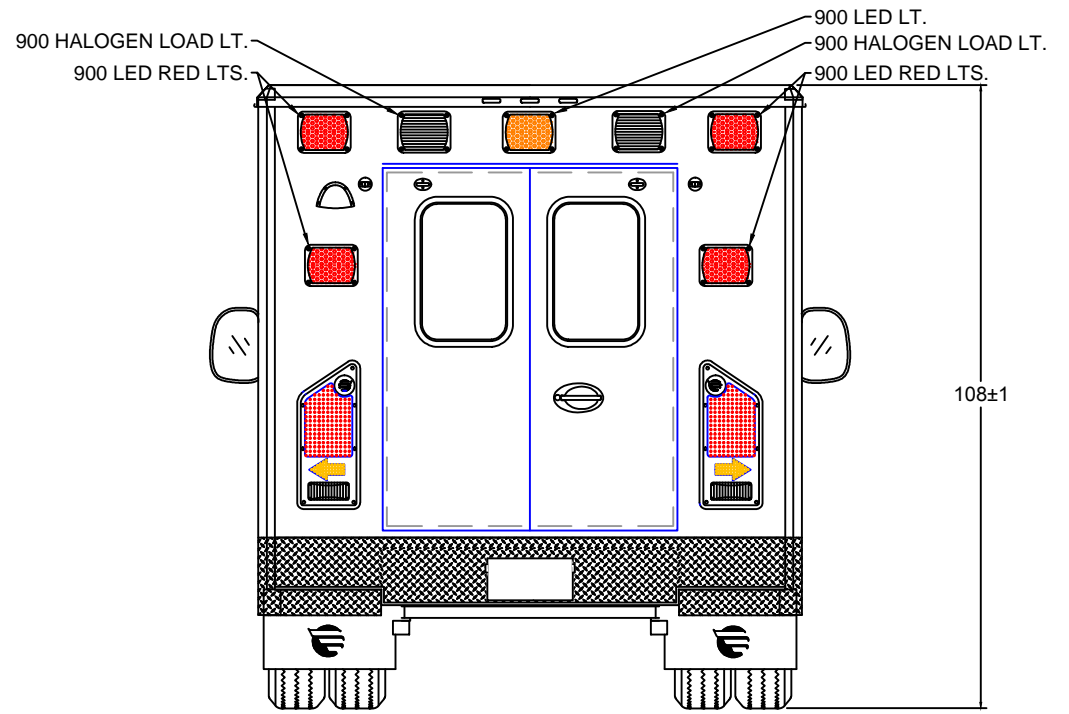
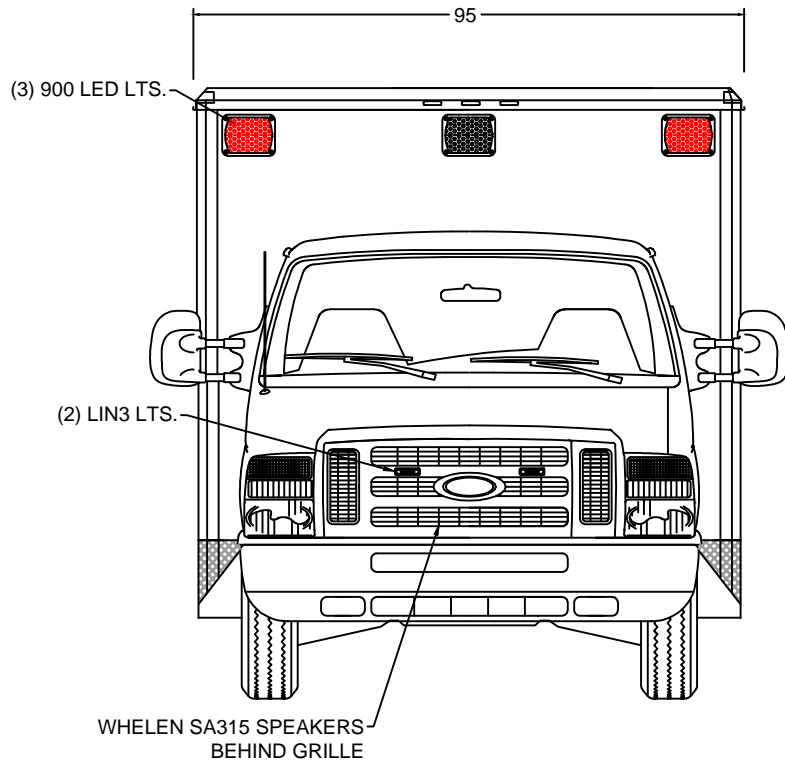


CA101454

MODEL 3165F

165 x 95 x 72



EXTERIOR COMPARTMENT DIMENSIONS IN INCHES

INTERIOR DIMENSIONS				PASS THRU		INTERIOR DIMENSIONS				JAMB OPENING	
COMPT.	HEIGHT	WIDTH	DEPTH	HEIGHT	WIDTH	COMPT.	HEIGHT	WIDTH	DEPTH	HEIGHT	WIDTH



TYPE 3 FORD 2018
FRONT / REAR
EXTERIOR VIEWS

BE ADVISED THAT THESE ARE PRELIMINARY LAYOUTS INTENDED TO ILLUSTRATE DESIGN INTENT AND DIMENSIONS ARE FOR REFERENCE ONLY PRIOR TO FINAL ENGINEERING

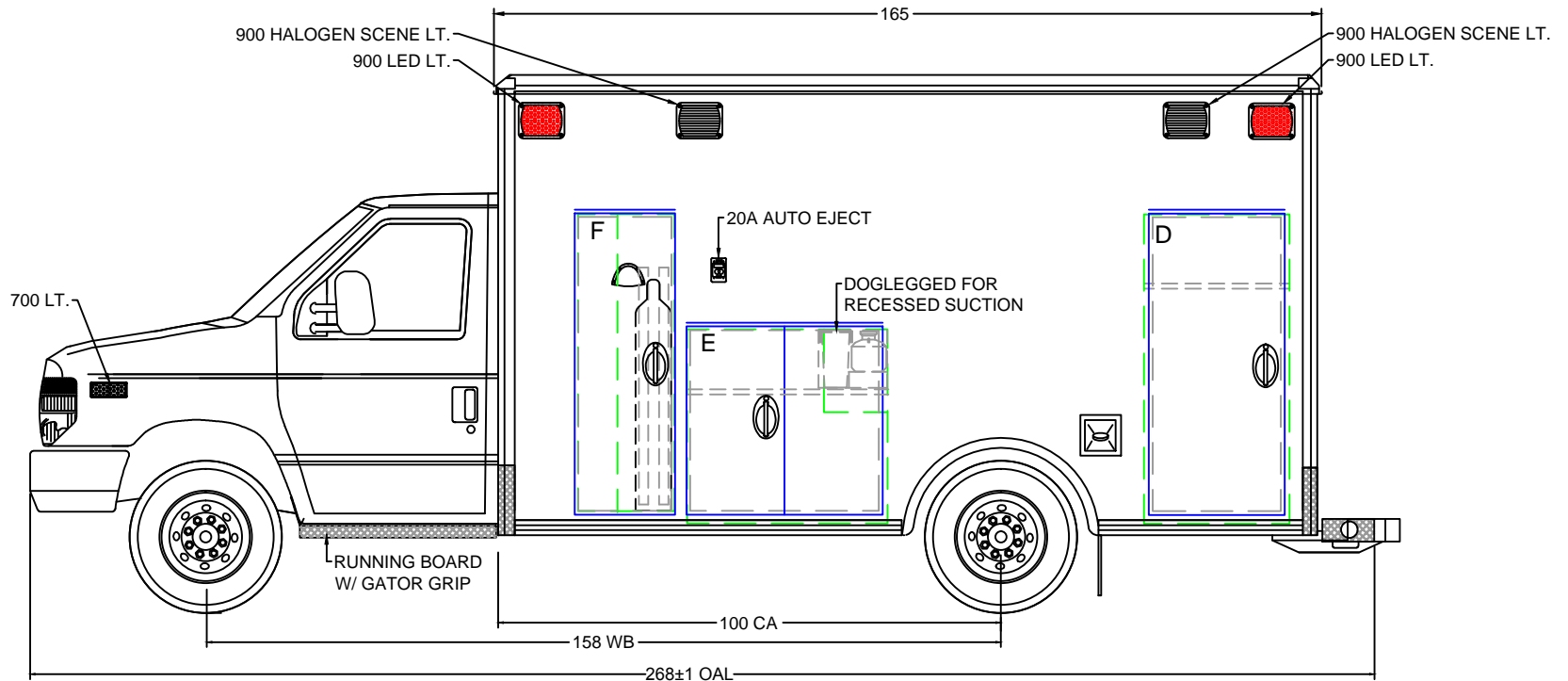
DATE:	04/19/18	SCALE:	
DWN BY:	SG	DWG NO:	1 / 9

50" AISLE

CA101454

MODEL 3165F

165 x 95 x 72



BE ADVISED THAT THESE ARE PRELIMINARY LAYOUTS INTENDED TO ILLUSTRATE DESIGN INTENT AND DIMENSIONS ARE FOR REFERENCE ONLY PRIOR TO FINAL ENGINEERING

EXTERIOR COMPARTMENT DIMENSIONS IN INCHES

INTERIOR DIMENSIONS				JAMB OPENING		INTERIOR DIMENSIONS				JAMB OPENING	
COMPT.	HEIGHT	WIDTH	DEPTH	HEIGHT	WIDTH	COMPT.	HEIGHT	WIDTH	DEPTH	HEIGHT	WIDTH
D	61.50	29.00	17.00	58.50	25.50						
E	39.00	40.00	17.00	37.00	37.50						
F	59.00	19.00	21.75/17.00	58.50	18.50						



TYPE 3 FORD 2018

LEFT EXT. VIEW

DATE 04/19/18

SCALE

DRAWN BY SG

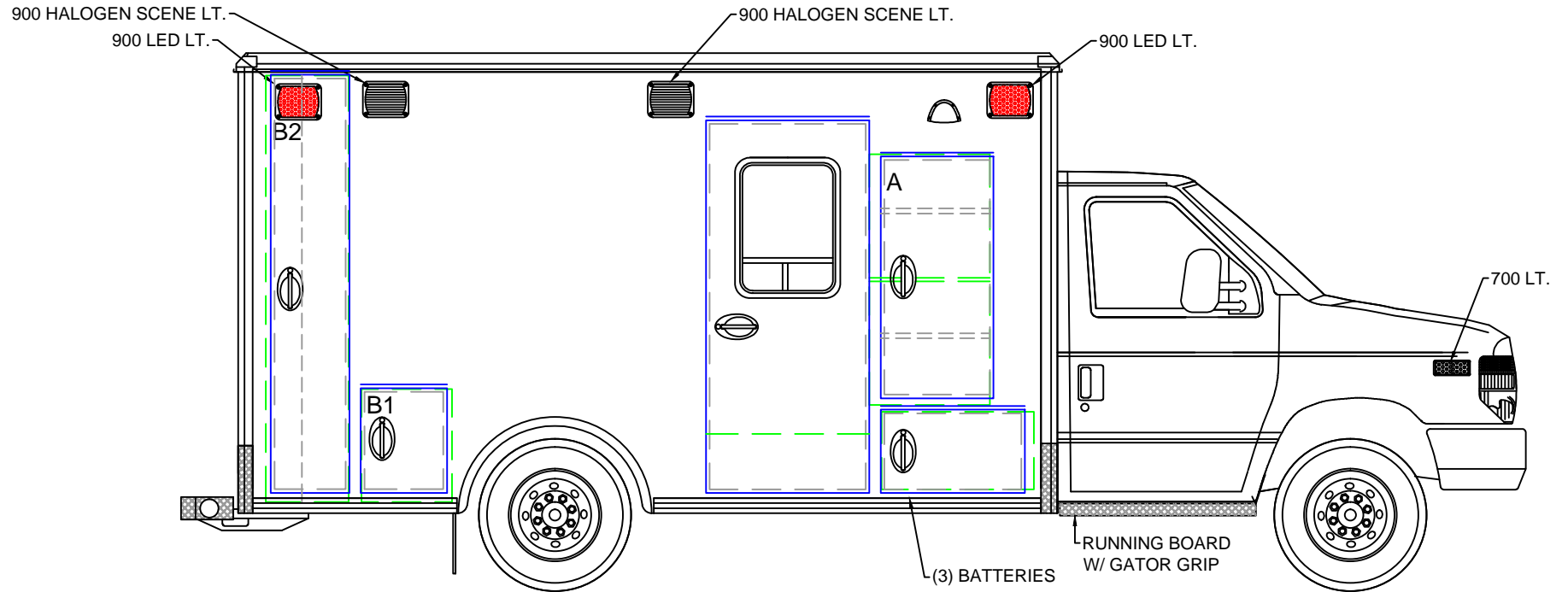
DWG NO 2 / 9

50" AISLE

CA101454


MODEL 3165F

165 x 95 x 72



BE ADVISED THAT THESE ARE PRELIMINARY LAYOUTS INTENDED TO ILLUSTRATE DESIGN INTENT AND DIMENSIONS ARE FOR REFERENCE ONLY PRIOR TO FINAL ENGINEERING

EXTERIOR COMPARTMENT DIMENSIONS IN INCHES											
INTERIOR DIMENSIONS				JAMB OPENING		INTERIOR DIMENSIONS				JAMB OPENING	
COMPT.	HEIGHT	WIDTH	DEPTH	HEIGHT	WIDTH	COMPT.	HEIGHT	WIDTH	DEPTH	HEIGHT	WIDTH
A	50.00	24.00	33.50	46.75	21.00						
LOWER-A	15.50	30.25	19.00	15.00	27.25						
B1	22.50	18.00	15.50	19.25	15.50						
B2	85.00	16.50	18.25	81.75	14.00						
50" AISLE											



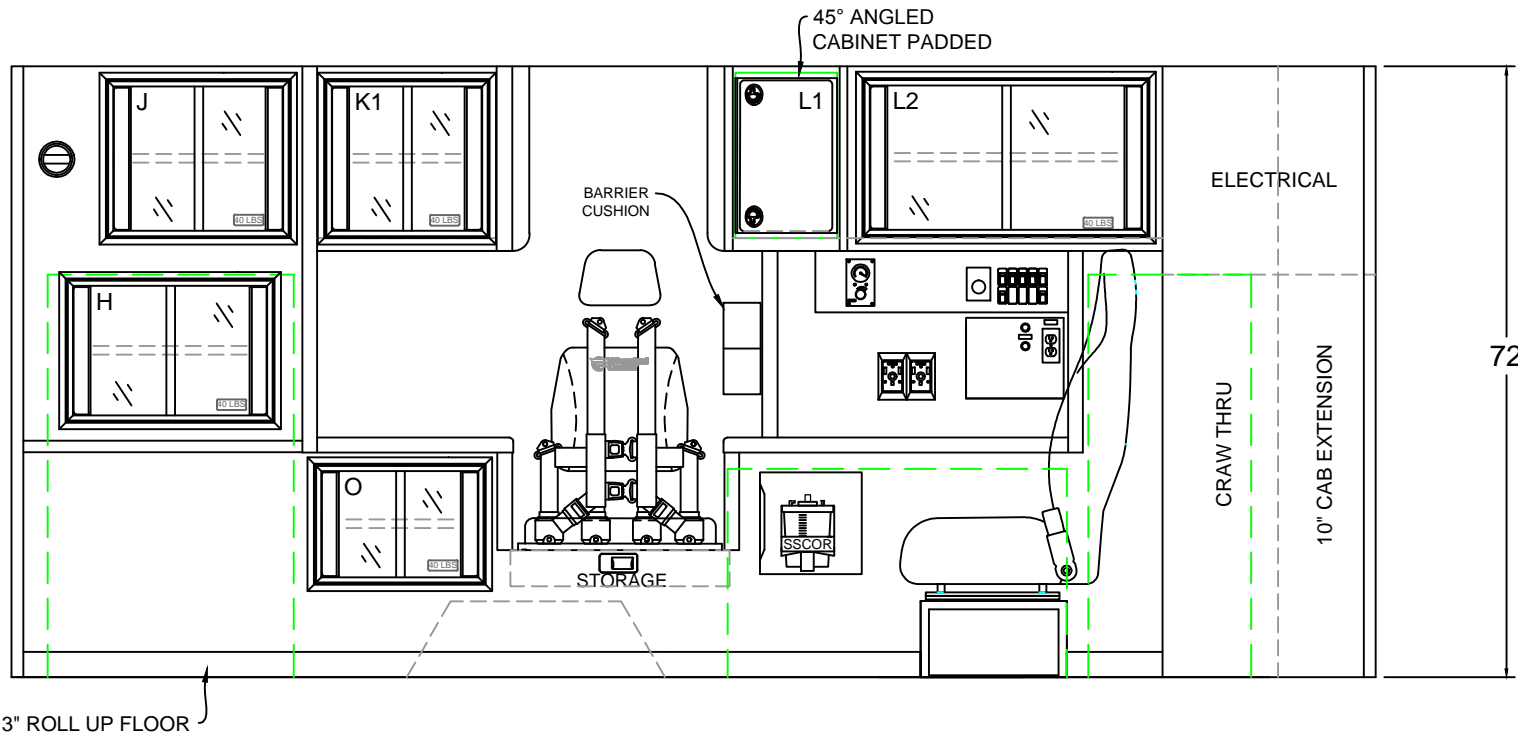
TYPE 3 FORD 2018
RIGHT EXT. VIEW

DATE 04/19/18 SCALE
DRAWN BY SG DWG NO 3 / 9

CA101454

MODEL 3165F

165 x 95 x 72



INTERIOR CABINET DIMENSIONS IN INCHES

CABINET	HEIGHT	WIDTH	DEPTH		CABINET	HEIGHT	WIDTH	DEPTH	
H	17.00	24.50	IS/OS		O	14.25	20.25	17.50	
J	18.75	21.75	17.50		CPR SEAT	4.25	21.25	17.50	
K1	18.75	19.50	12.00						
L1	19.25	12.00	15.25						
L2	18.75	33.75	15.25						



TYPE 3 FORD 2018

LEFT INTERIOR

50" AISLE

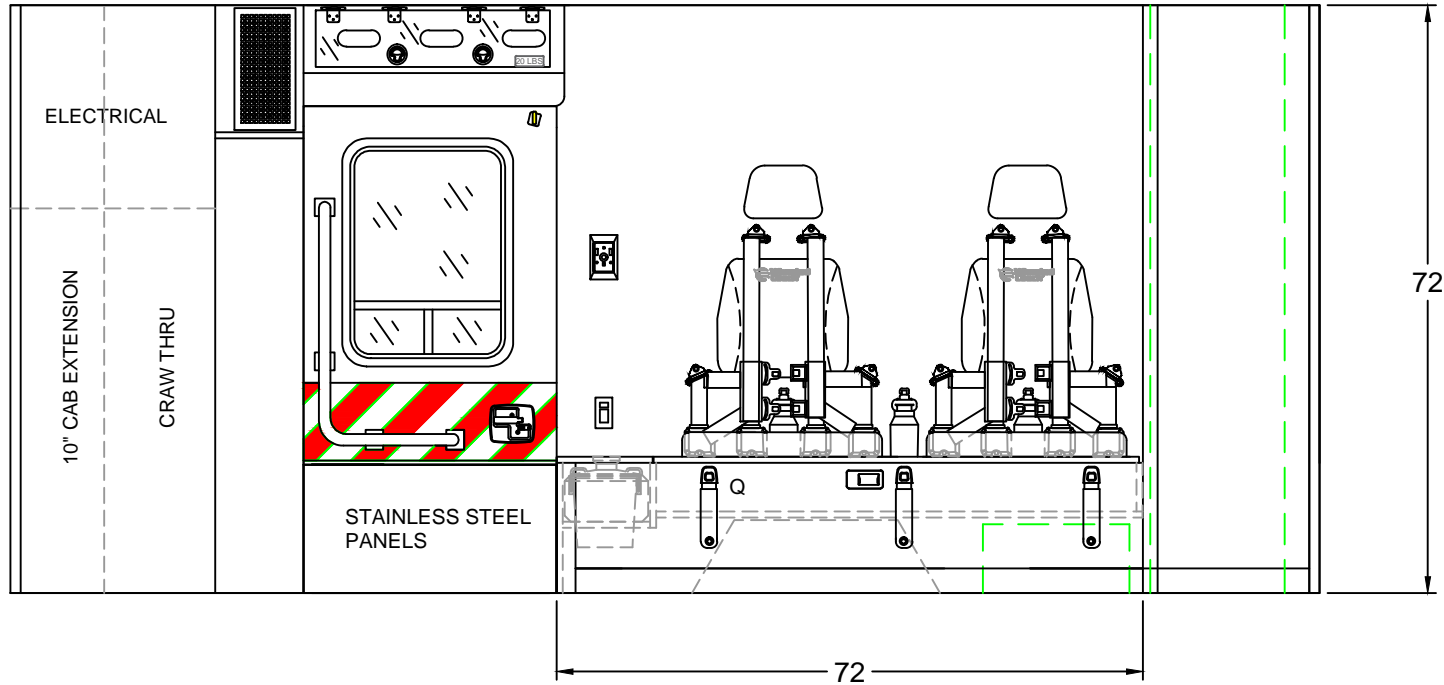
BE ADVISED THAT THESE ARE PRELIMINARY LAYOUTS INTENDED TO ILLUSTRATE DESIGN INTENT AND DIMENSIONS ARE FOR REFERENCE ONLY PRIOR TO FINAL ENGINEERING

DATE:	04/19/18	SCALE:	
DWN BY:	SG	DWG NO:	5 / 9

CA101454

MODEL 3165F

165 x 95 x 72



INTERIOR CABINET DIMENSIONS IN INCHES

COMPT.	HEIGHT	WIDTH	DEPTH		COMPT.	HEIGHT	WIDTH	DEPTH	
Q	6.00	59.00	16.75						

50" AISLE

BE ADVISED THAT THESE ARE PRELIMINARY LAYOUTS INTENDED TO ILLUSTRATE DESIGN INTENT AND DIMENSIONS ARE FOR REFERENCE ONLY PRIOR TO FINAL ENGINEERING



TYPE 3 FORD 2018
RIGHT INTERIOR

DATE: 04/19/18

SCALE

DRAWN BY

SG

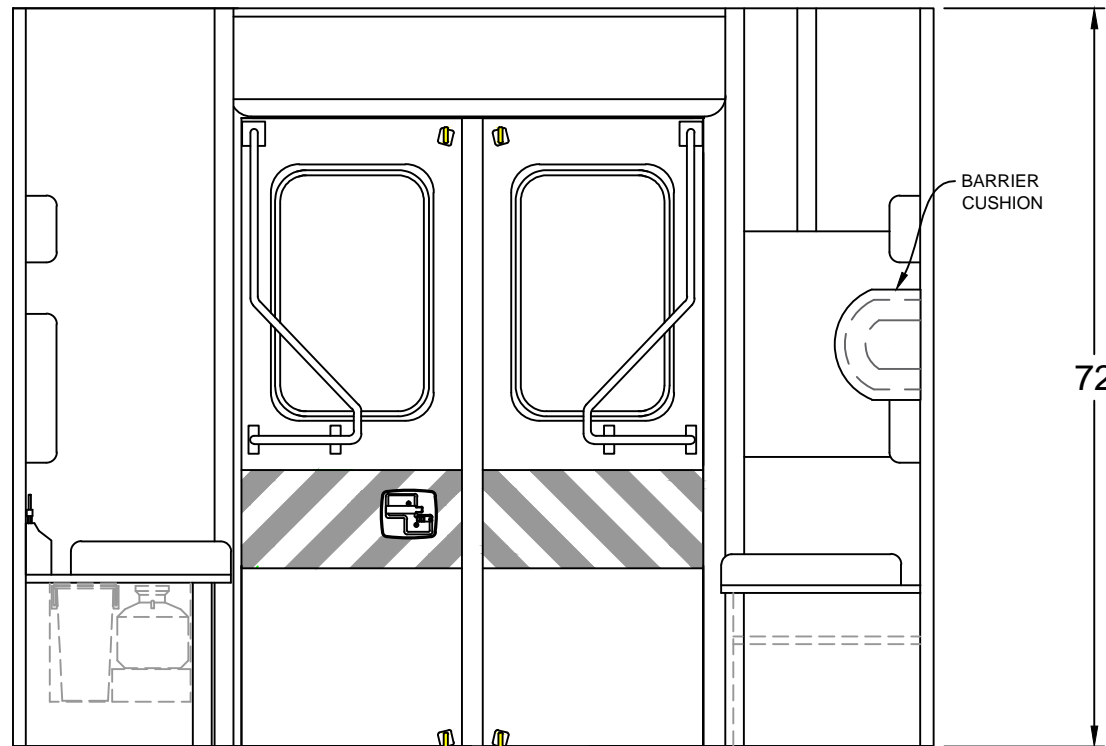
DWG NO

6 / 9

CA101454

MODEL 3165F

165 x 95 x 72



INTERIOR CABINET DIMENSIONS IN INCHES

COMPT.	HEIGHT	WIDTH	DEPTH		COMPT.	HEIGHT	WIDTH	DEPTH	

50" AISLE

BE ADVISED THAT THESE ARE PRELIMINARY LAYOUTS INTENDED TO ILLUSTRATE DESIGN INTENT AND DIMENSIONS ARE FOR REFERENCE ONLY PRIOR TO FINAL ENGINEERING



TYPE 3 FORD 2018

REAR BULKHEAD INTERIOR

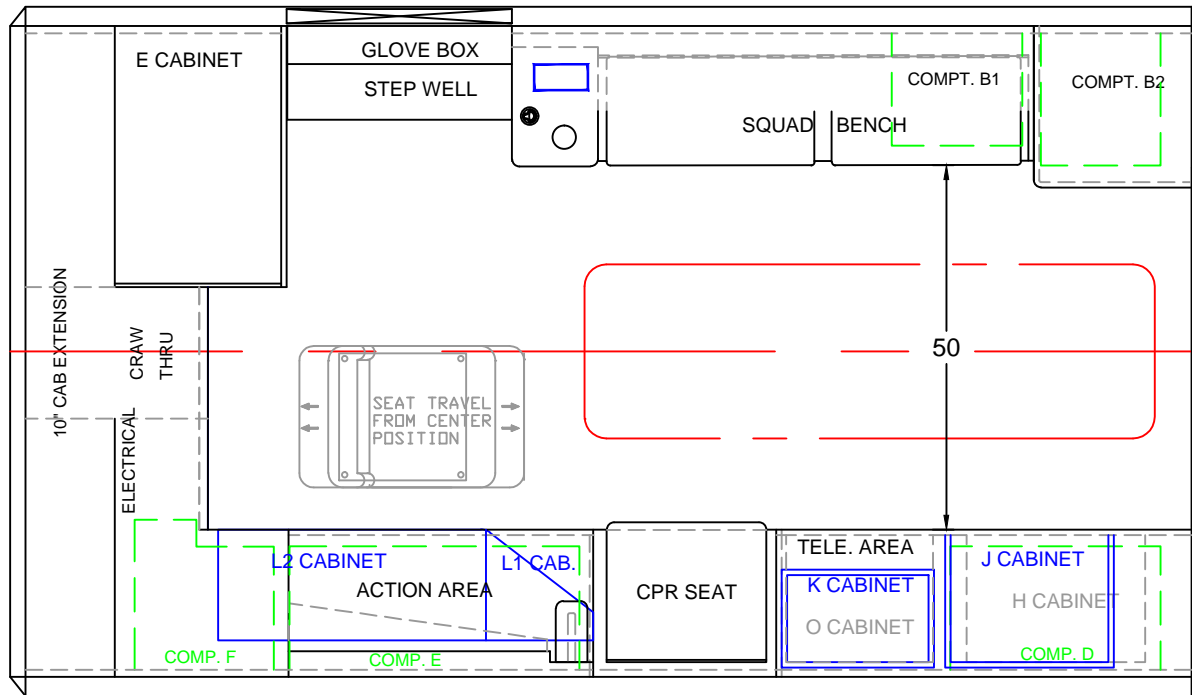
DATE: 04/19/18 SCALE

DWGN BY: SG DWG NO: 7 / 9

CA101454

MODEL 3165F

165 x 95 x 72



BE ADVISED THAT THESE ARE PRELIMINARY LAYOUTS INTENDED TO ILLUSTRATE DESIGN INTENT AND DIMENSIONS ARE FOR REFERENCE ONLY PRIOR TO FINAL ENGINEERING

INTERIOR CABINET DIMENSIONS IN INCHES

CABINET	HEIGHT	WIDTH	DEPTH	CABINET	HEIGHT	WIDTH	DEPTH



TYPE 3 FORD 2018
FLOOR PLAN

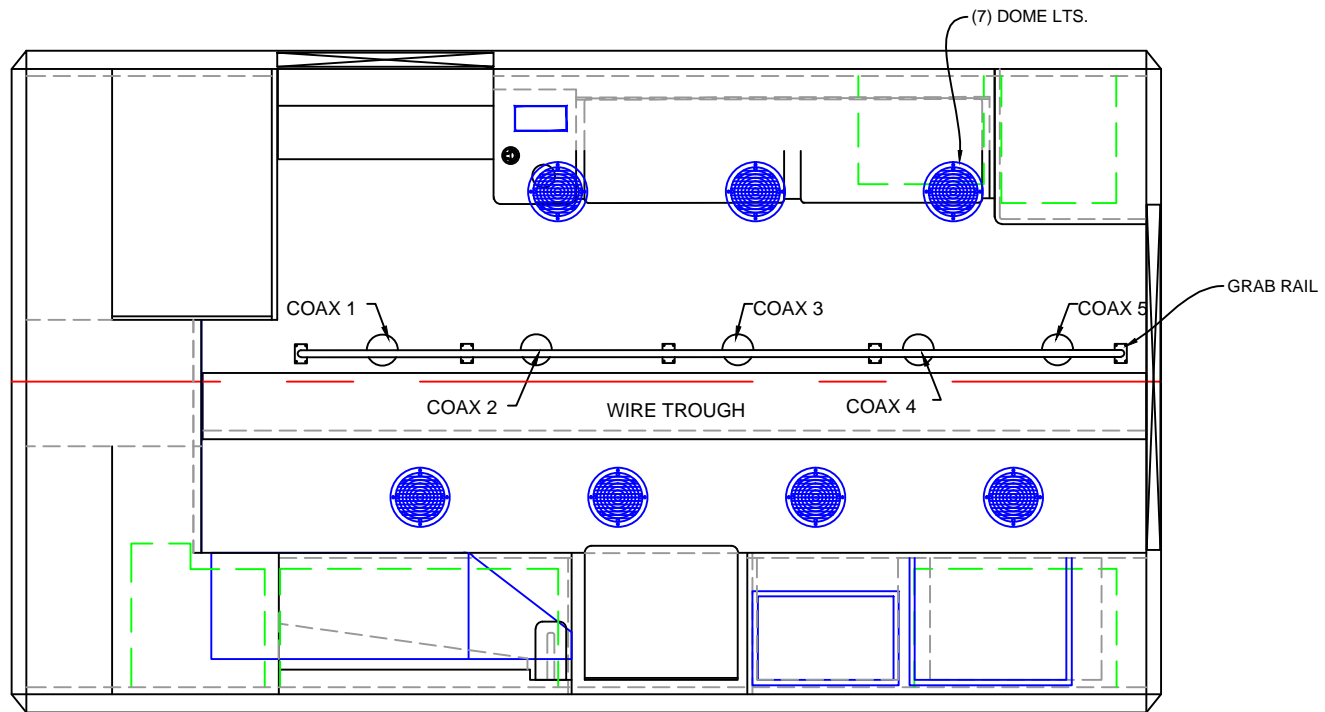
DATE: 04/19/18 SCALE
DWN BY: SG DWG NO: 8 / 9

50" AISLE

CA101454

MODEL 3165F

165 x 95 x 72



BE ADVISED THAT THESE ARE PRELIMINARY LAYOUTS INTENDED TO ILLUSTRATE DESIGN INTENT AND DIMENSIONS ARE FOR REFERENCE ONLY PRIOR TO FINAL ENGINEERING

INTERIOR CABINET DIMENSIONS IN INCHES

CABINET	HEIGHT	WIDTH	DEPTH	CABINET	HEIGHT	WIDTH	DEPTH



TYPE 3 FORD 2018

LINER

DATE: 04/19/18 SCALE
 DRAWN BY: SG DWG NO: 9 / 9

50" AISLE