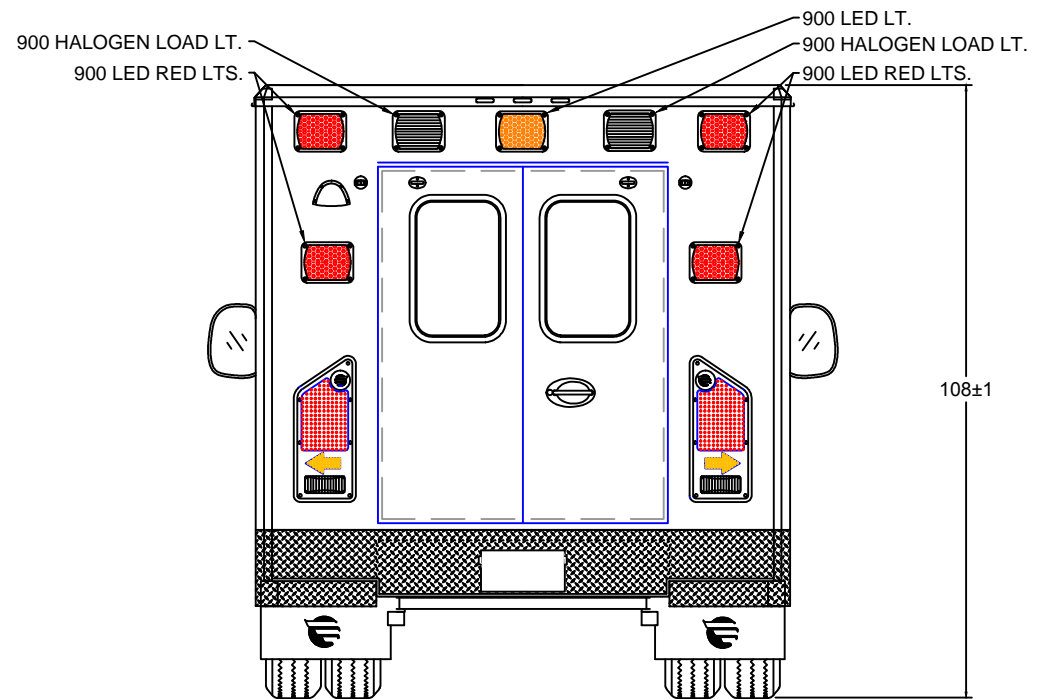
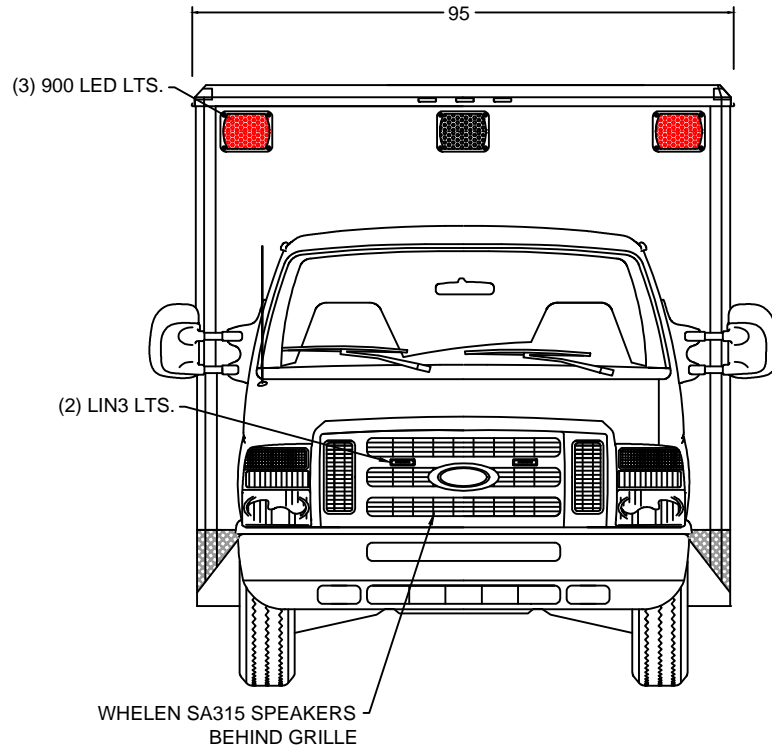


CA101300

MODEL 3170F

170 x 95 x 72



EXTERIOR COMPARTMENT DIMENSIONS IN INCHES

INTERIOR DIMENSIONS				PASS THRU		INTERIOR DIMENSIONS				JAMB OPENING	
COMPT.	HEIGHT	WIDTH	DEPTH	HEIGHT	WIDTH	COMPT.	HEIGHT	WIDTH	DEPTH	HEIGHT	WIDTH



TYPE 3 FORD 2018
FRONT / REAR
EXTERIOR VIEWS

BE ADVISED THAT THESE ARE PRELIMINARY LAYOUTS INTENDED TO ILLUSTRATE DESIGN INTENT AND DIMENSIONS ARE FOR REFERENCE ONLY PRIOR TO FINAL ENGINEERING

DATE: 04/03/18

SCALE

DWN BY: SG

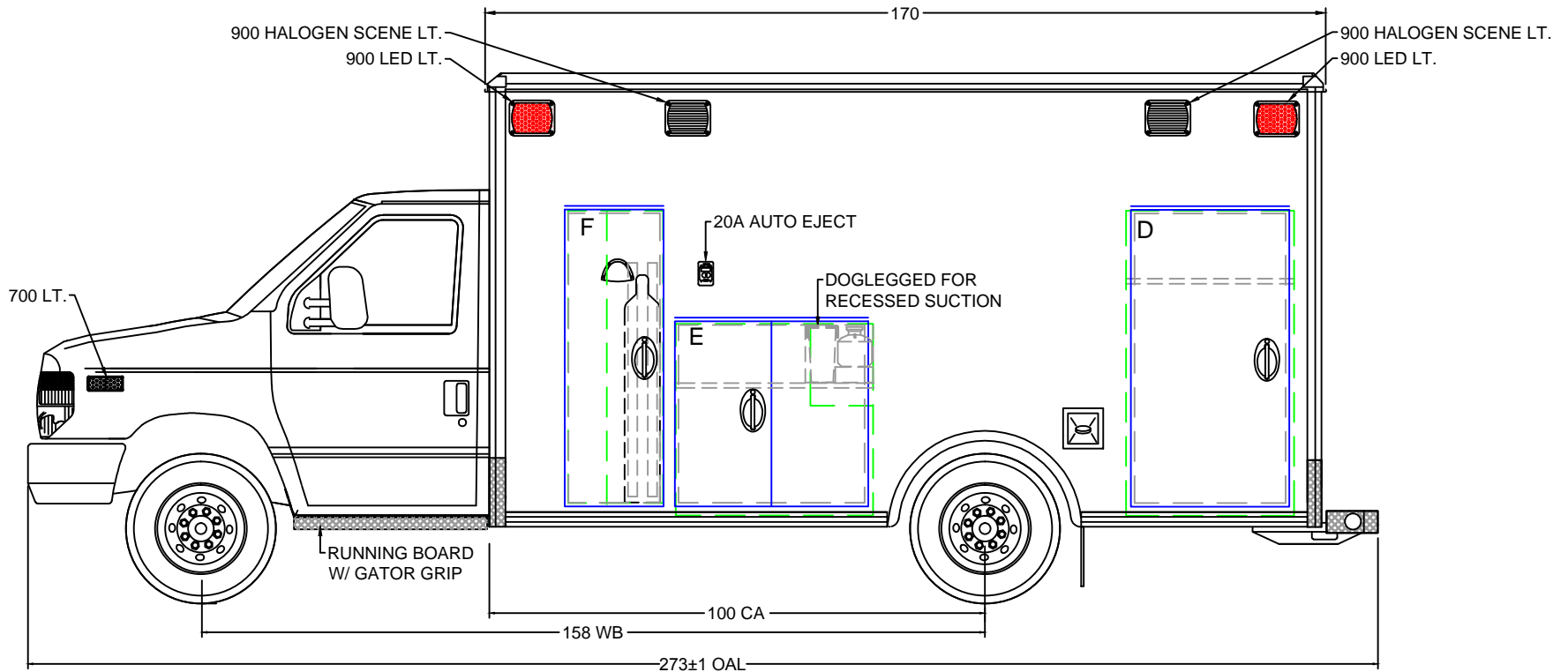
DWG NO: 1 / 9

50" AISLE

CA101300

MODEL 3170F

170 x 95 x 72



BE ADVISED THAT THESE ARE PRELIMINARY LAYOUTS INTENDED TO ILLUSTRATE DESIGN INTENT AND DIMENSIONS ARE FOR REFERENCE ONLY PRIOR TO FINAL ENGINEERING

EXTERIOR COMPARTMENT DIMENSIONS IN INCHES

INTERIOR DIMENSIONS				JAMB OPENING		INTERIOR DIMENSIONS				JAMB OPENING	
COMPT.	HEIGHT	WIDTH	DEPTH	HEIGHT	WIDTH	COMPT.	HEIGHT	WIDTH	DEPTH	HEIGHT	WIDTH
D	61.50	34.00	17.00	58.50	30.50						
E	39.00	40.00	17.00	37.00	37.50						
F	59.00	19.00	21.75/17.00	58.50	18.50						



TYPE 3 FORD 2018

LEFT EXT. VIEW

DATE 04/03/18

SCALE

DRAWN BY SG

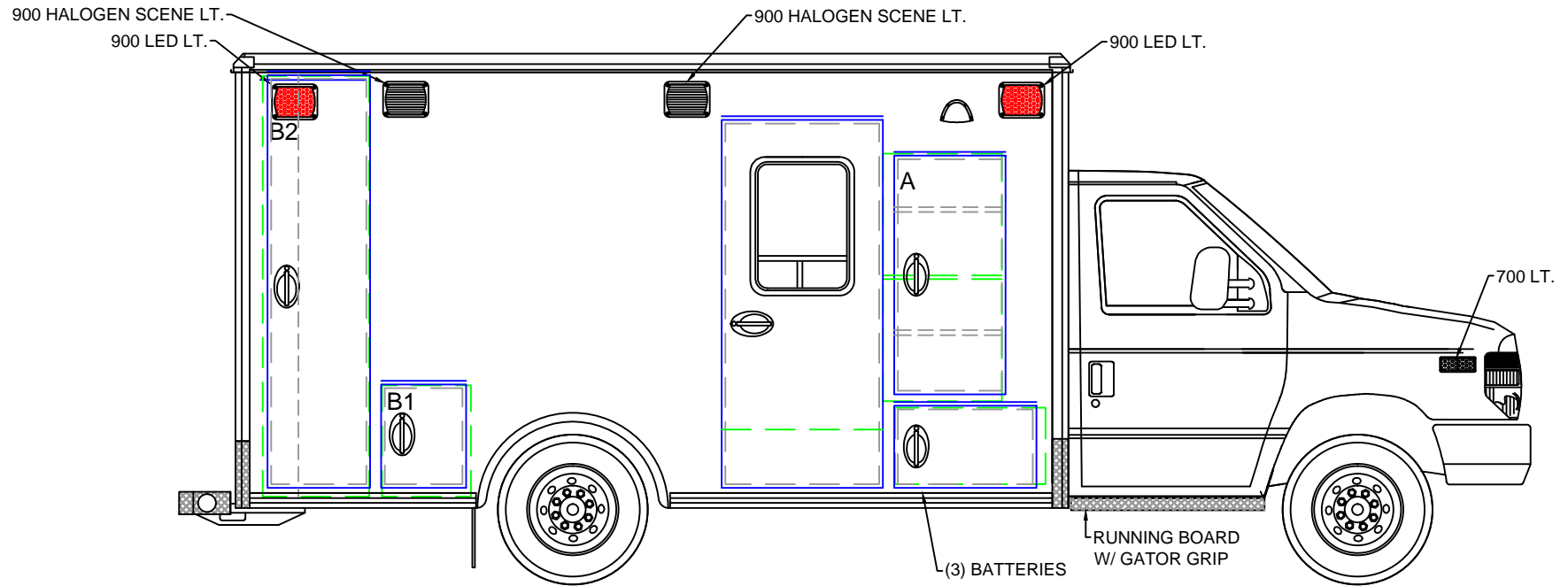
DWG NO 2 / 9

50" AISLE


CA101300

MODEL 3170F

170 x 95 x 72



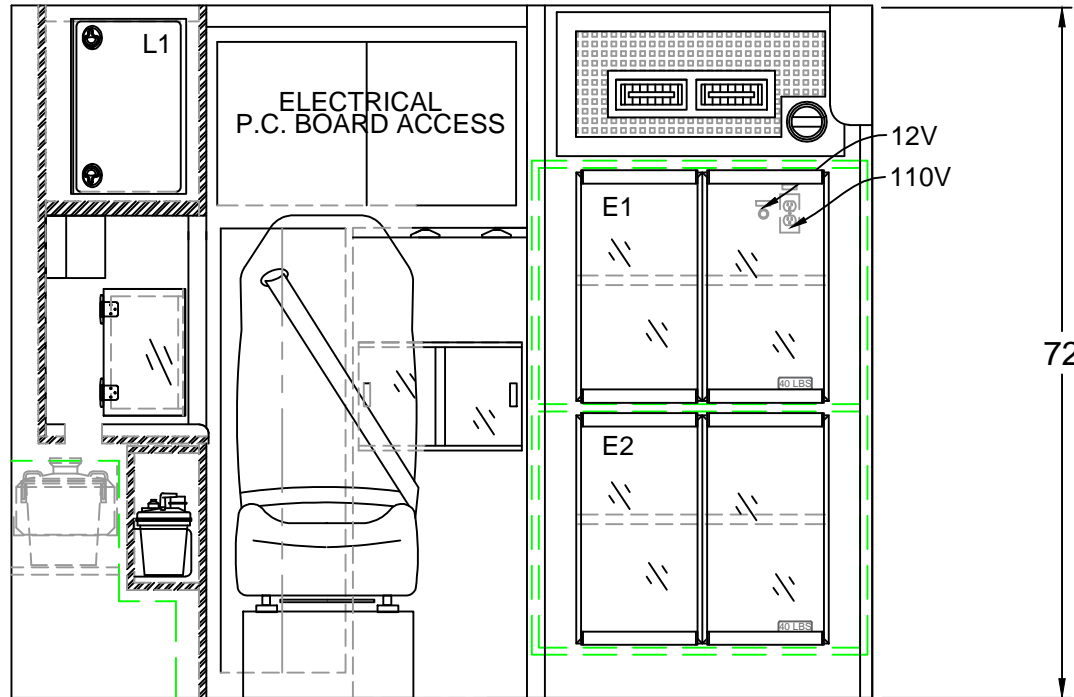
BE ADVISED THAT THESE ARE PRELIMINARY LAYOUTS INTENDED TO ILLUSTRATE DESIGN INTENT AND DIMENSIONS ARE FOR REFERENCE ONLY PRIOR TO FINAL ENGINEERING

EXTERIOR COMPARTMENT DIMENSIONS IN INCHES												
INTERIOR DIMENSIONS				JAMB OPENING		INTERIOR DIMENSIONS				JAMB OPENING		
COMPT.	HEIGHT	WIDTH	DEPTH	HEIGHT	WIDTH	COMPT.	HEIGHT	WIDTH	DEPTH	HEIGHT	WIDTH	
A	50.00	24.00	33.50	46.75	21.00							TYPE 3 FORD 2018 RIGHT EXT. VIEW
LOWER-A	15.50	30.25	19.00	15.00	27.25							
B1	22.50	18.00	15.50	19.25	15.50							
B2	85.00	21.50	18.25	81.75	19.00							
50" AISLE												DATE 04/03/18 DRAWN BY SG SCALE DWG NO 3 / 9

CA101300

MODEL 3170F

170 x 95 x 72



BE ADVISED THAT THESE ARE PRELIMINARY LAYOUTS INTENDED TO ILLUSTRATE DESIGN INTENT AND DIMENSIONS ARE FOR REFERENCE ONLY PRIOR TO FINAL ENGINEERING

CABINET WEIGHT RATINGS:
NON-RESTOCKING = 40 LBS.
RESTOCKING = 30 LBS.

INTERIOR CABINET DIMENSIONS IN INCHES

CABINET	HEIGHT	WIDTH	DEPTH	CABINET	HEIGHT	WIDTH	DEPTH
E1	24.50	33.50	24.00				
E2	24.50	33.50	24.00				



TYPE 3 FORD 2018
BULKHEAD INTERIOR

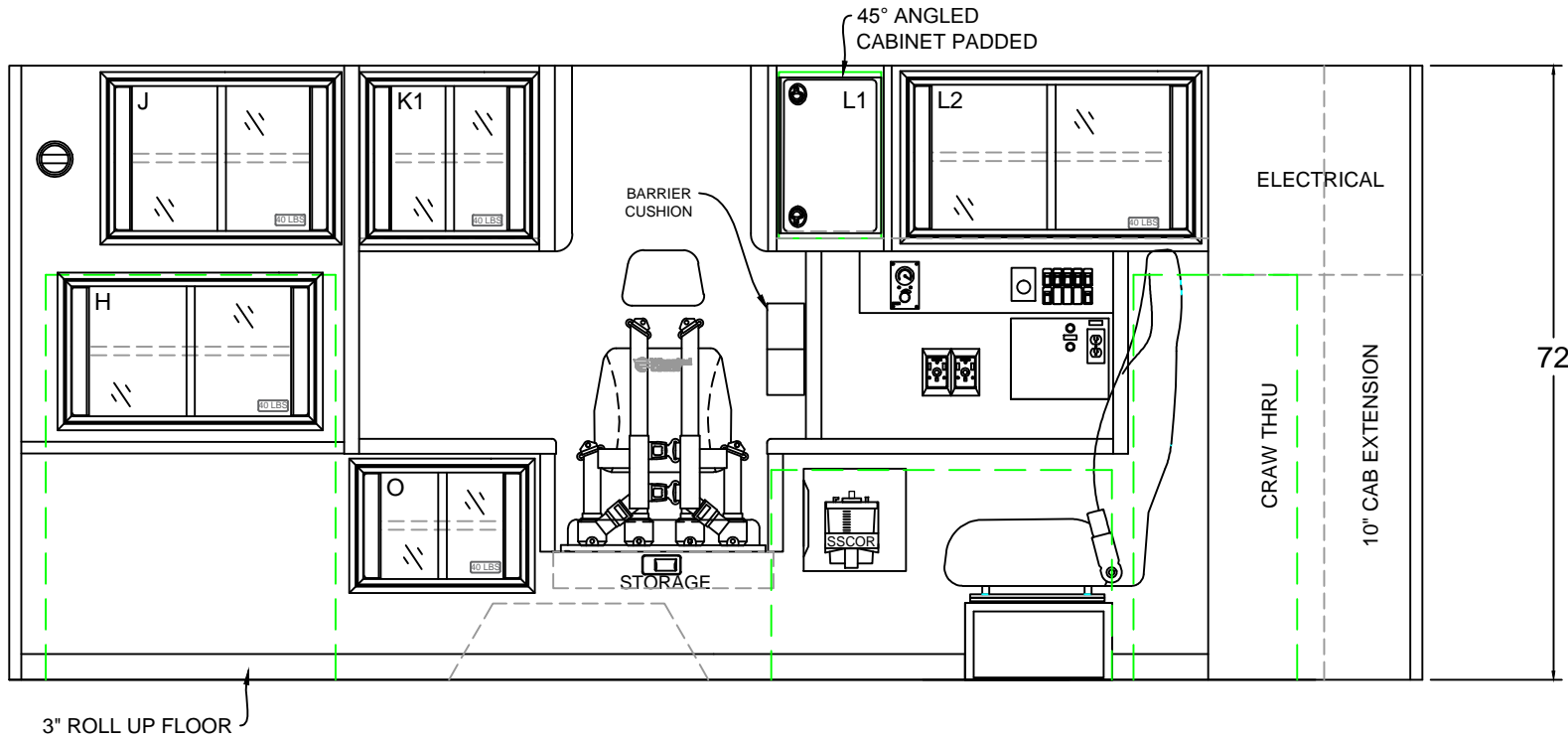
DATE	04/03/18	SCALE	
DRAWN BY	SG	DWG NO	4 / 9

50" AISLE

CA101300

MODEL 3170F

170 x 95 x 72



INTERIOR CABINET DIMENSIONS IN INCHES

CABINET	HEIGHT	WIDTH	DEPTH		CABINET	HEIGHT	WIDTH	DEPTH	
H	17.00	29.50	IS/OS		O	14.25	20.25	17.50	
J	18.75	26.75	17.50		CPR SEAT	4.25	21.25	17.50	
K1	18.75	19.50	12.00						
L1	19.25	12.00	15.25						
L2	18.75	33.75	15.25						



TYPE 3 FORD 2018

LEFT INTERIOR

DATE: 04/03/18

SCALE

DWN BY: SG

DWG NO: 5 / 9

50" AISLE

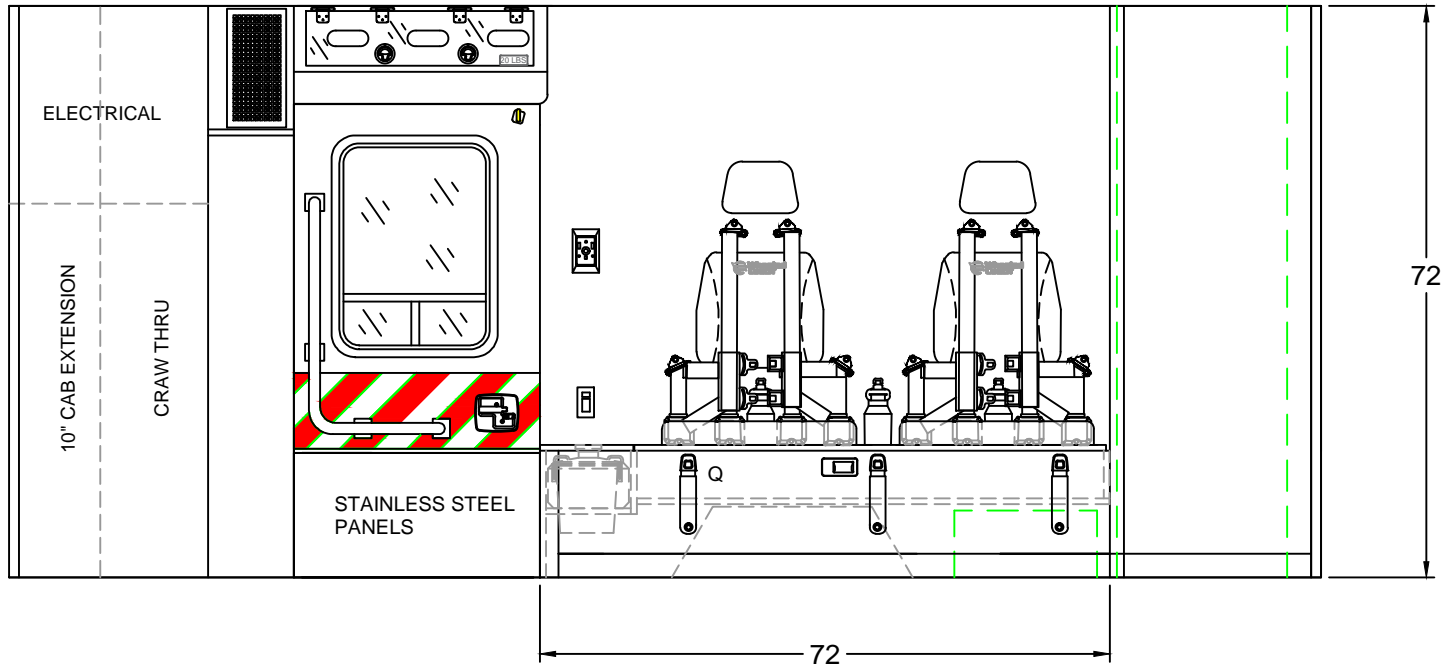
CABINET WEIGHT RATINGS:
NON-RESTOCKING = 40 LBS.
RESTOCKING = 30 LBS.

BE ADVISED THAT THESE ARE PRELIMINARY LAYOUTS INTENDED TO ILLUSTRATE DESIGN INTENT AND DIMENSIONS ARE FOR REFERENCE ONLY PRIOR TO FINAL ENGINEERING

CA101300

MODEL 3170F

170 x 95 x 72



INTERIOR CABINET DIMENSIONS IN INCHES



TYPE 3 FORD 2018
RIGHT INTERIOR

COMPT.	HEIGHT	WIDTH	DEPTH		COMPT.	HEIGHT	WIDTH	DEPTH	
Q	6.00	59.00	16.75						

DATE: 04/03/18

SCALE

OWN BY

SG

DWG NO

6 / 9

50" AISLE

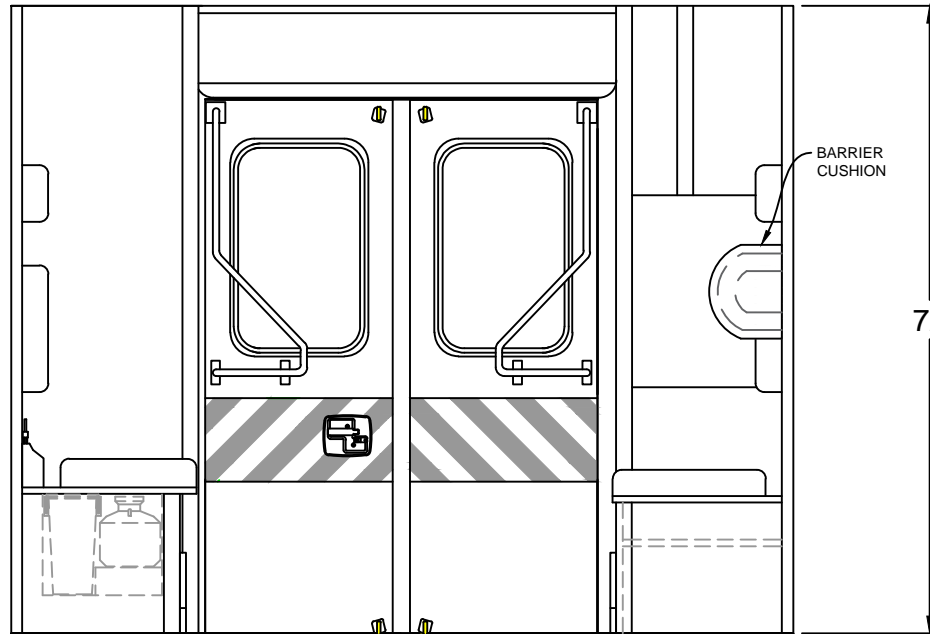
CABINET WEIGHT RATINGS:
NON-RESTOCKING = 40 LBS.
RESTOCKING = 30 LBS.

BE ADVISED THAT THESE ARE PRELIMINARY LAYOUTS INTENDED TO ILLUSTRATE DESIGN INTENT AND DIMENSIONS ARE FOR REFERENCE ONLY PRIOR TO FINAL ENGINEERING

CA101300

MODEL 3170F

170 x 95 x 72



INTERIOR CABINET DIMENSIONS IN INCHES



TYPE 3 FORD 2018

REAR BULKHEAD INTERIOR

DATE: 04/03/18

SCALE

OWN BY

SG

DWG NO

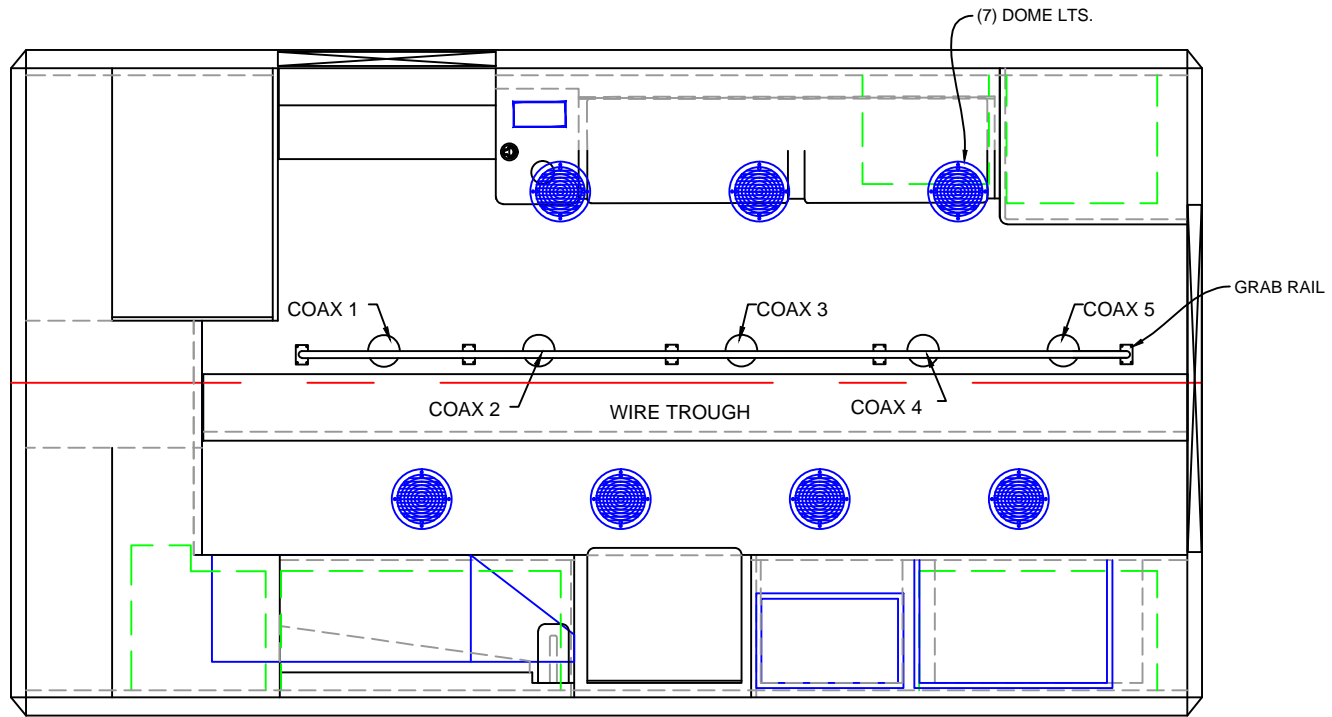
7 / 9

COMPT.	HEIGHT	WIDTH	DEPTH		COMPT.	HEIGHT	WIDTH	DEPTH	
50" AISLE				<p>CABINET WEIGHT RATINGS: NON-RESTOCKING = 40 LBS. RESTOCKING = 30 LBS.</p>	<p>BE ADVISED THAT THESE ARE PRELIMINARY LAYOUTS INTENDED TO ILLUSTRATE DESIGN INTENT AND DIMENSIONS ARE FOR REFERENCE ONLY PRIOR TO FINAL ENGINEERING</p>				

CA101300

MODEL 3170F

170 x 95 x 72



BE ADVISED THAT THESE ARE PRELIMINARY LAYOUTS INTENDED TO ILLUSTRATE DESIGN INTENT AND DIMENSIONS ARE FOR REFERENCE ONLY PRIOR TO FINAL ENGINEERING

CABINET WEIGHT RATINGS:
NON-RESTOCKING = 40 LBS.
RESTOCKING = 30 LBS.

50" AISLE

INTERIOR CABINET DIMENSIONS IN INCHES

CABINET	HEIGHT	WIDTH	DEPTH	CABINET	HEIGHT	WIDTH	DEPTH



TYPE 3 FORD 2018

LINER

DATE: 04/03/18

SCALE

DWN BY SG

DWG NO 9 / 9