

**FORD:**  
2003-2005 Excursion

2003-2007 F-Super Duty  
2004-2007 E-350, E-450

**ISSUE**

Some 2004-2007 E-Series 350/450, 2003-2005 Excursion, and 2003-2007 F-Super Duty vehicles, equipped with the 6.0L diesel engine, may exhibit improper engine cooling fan clutch operation due to its wire harness being cut by the rotating cooling fan.

**ACTION**

If the stator retaining clip is broken or missing, use the following procedure to secure the wire harness to the fan stator.

**SERVICE PROCEDURE**

1. A cut wire harness will prevent proper fan clutch operation. The harness may be cut because the molded-in retaining clip on the fan stator that secures the harness to the stator is broken or missing, allowing the loose harness to move into the rotating fan (Figure 1). If the harness is damaged or severed, replace the Cooling Fan Clutch Assembly per the Work Shop Manual, Section 303-03.

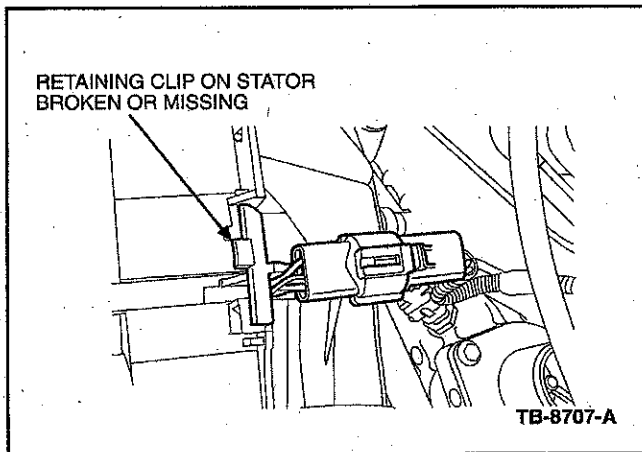


Figure 1 - Article 07-1-4

2. Carefully drill a 1/8" (3.2 mm) diameter hole through both the tab on the harness and the stator as shown (Figure 2). Hold the harness fully down in the stator slot while drilling the hole in order to assure that the harness will be positioned away from the rotating fan.

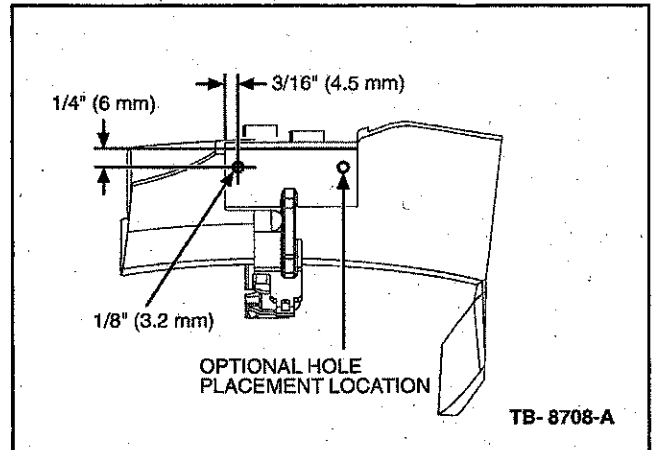


Figure 2 - Article 07-1-4

3. Install and tighten the screw to 9 lb-in. (1 N•m)
4. Check to make sure that the harness is held securely to the stator and away from the fan.

PART NUMBER	PART NAME
4C3Z-8A616-AA	Fan Clutch Assy (Vehicles With Out Snow Plow Package)
8C3Z-8A616-A	Fan Clutch Assy (Vehicles With Snow Plow Package)
W506943-S424	Screw

**WARRANTY STATUS:** Eligible Under Provisions Of New Vehicle Limited Warranty Coverage

OPERATION	DESCRIPTION	TIME
070104A	2003-2007 Super Duty, 2003-2005 Excursion 6.0L: Replace The Fan Clutch, Includes Time To Secure The Wire Harness (Do Not Use With 8616A, 8005A, 8005AZW, 8146A, 8600A)	1.5 Hrs.

**NOTE:** The information in Technical Service Bulletins is intended for use by trained, professional technicians with the knowledge, tools, and equipment to do the job properly and safely. It informs these technicians of conditions that may occur on some vehicles, or provides information that could assist in proper vehicle service. The procedures should not be performed by "do-it-yourselfers". Do not assume that a condition described affects your car or truck. Contact a Ford, Lincoln, or Mercury dealership to determine whether the Bulletin applies to your vehicle. Warranty Policy and Extended Service Plan documentation determine Warranty and/or Extended Service Plan coverage unless stated otherwise in the TSB article. The information in this Technical Service Bulletin (TSB) was current at the time of printing. Ford Motor Company reserves the right to supercede this information with updates. The most recent information is available through Ford Motor Company's on-line technical resources.

# TSB 07-1-4 (Continued)

070104A 2004-2007 Econoline 1.9 Hrs.  
E-350/450 6.0L: Replace  
The Fan Clutch, Includes  
Time To Secure The Wire  
Harness (Do Not Use With  
8616A, 8005A, 8005AZW,  
8146A, 8600A)

## DEALER CODING

## CONDITION

BASIC PART NO.  
8B614

CODE  
01