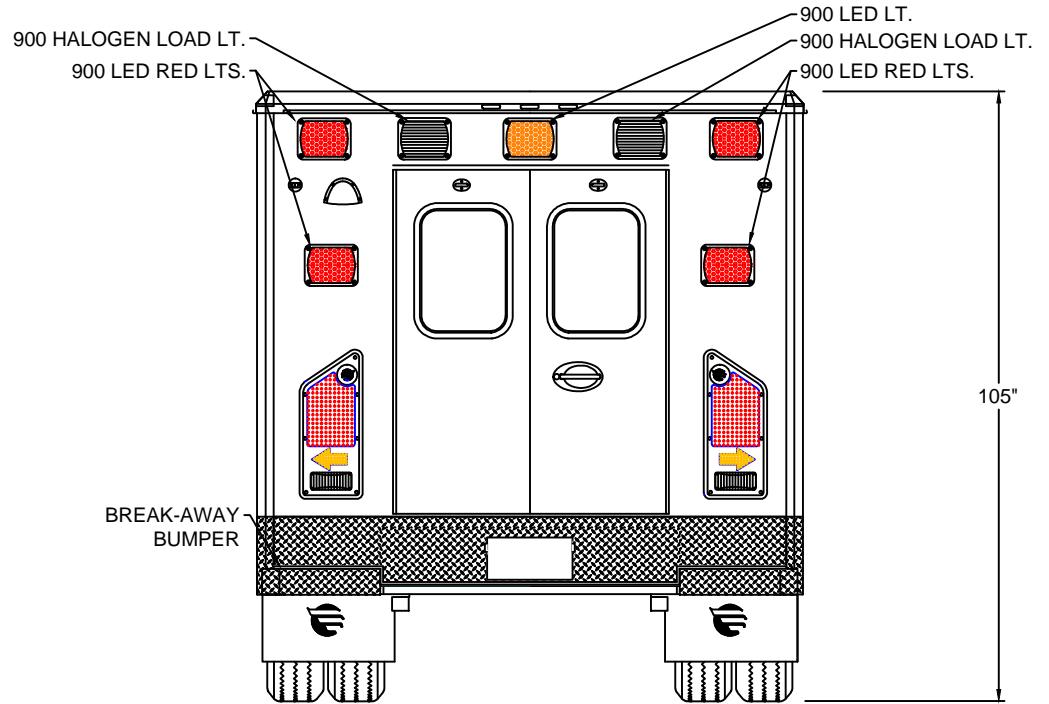
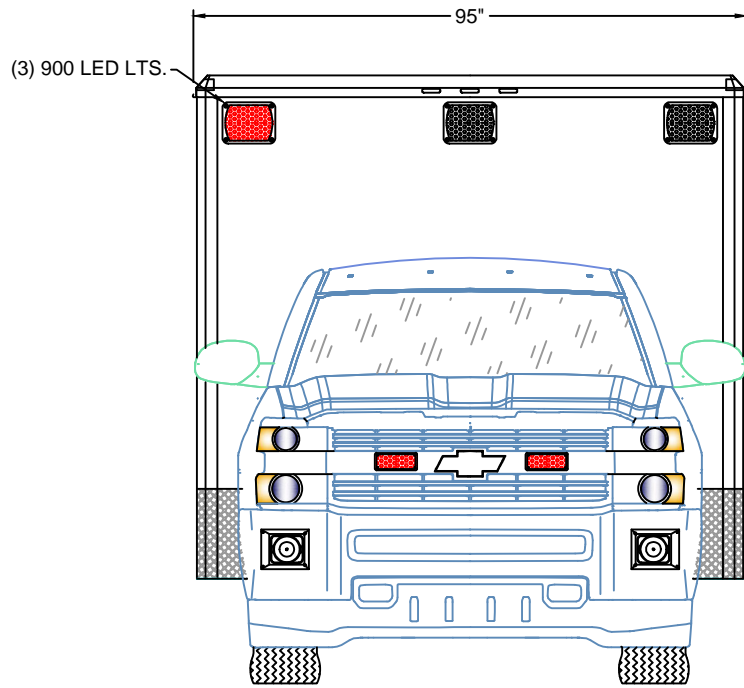


CA101740

MODEL 1153C

153 x 95 x 67



EXTERIOR COMPARTMENT DIMENSIONS IN INCHES

INTERIOR DIMENSIONS				PASS THRU		INTERIOR DIMENSIONS				JAMB OPENING	
COMPT.	HEIGHT	WIDTH	DEPTH	HEIGHT	WIDTH	COMPT.	HEIGHT	WIDTH	DEPTH	HEIGHT	WIDTH



3500 TYPE 1 CHEVY 2018  
FRONT / REAR  
EXTERIOR VIEWS

BE ADVISED THAT THESE ARE PRELIMINARY LAYOUTS INTENDED TO ILLUSTRATE DESIGN INTENT AND DIMENSIONS ARE FOR REFERENCE ONLY PRIOR TO FINAL ENGINEERING

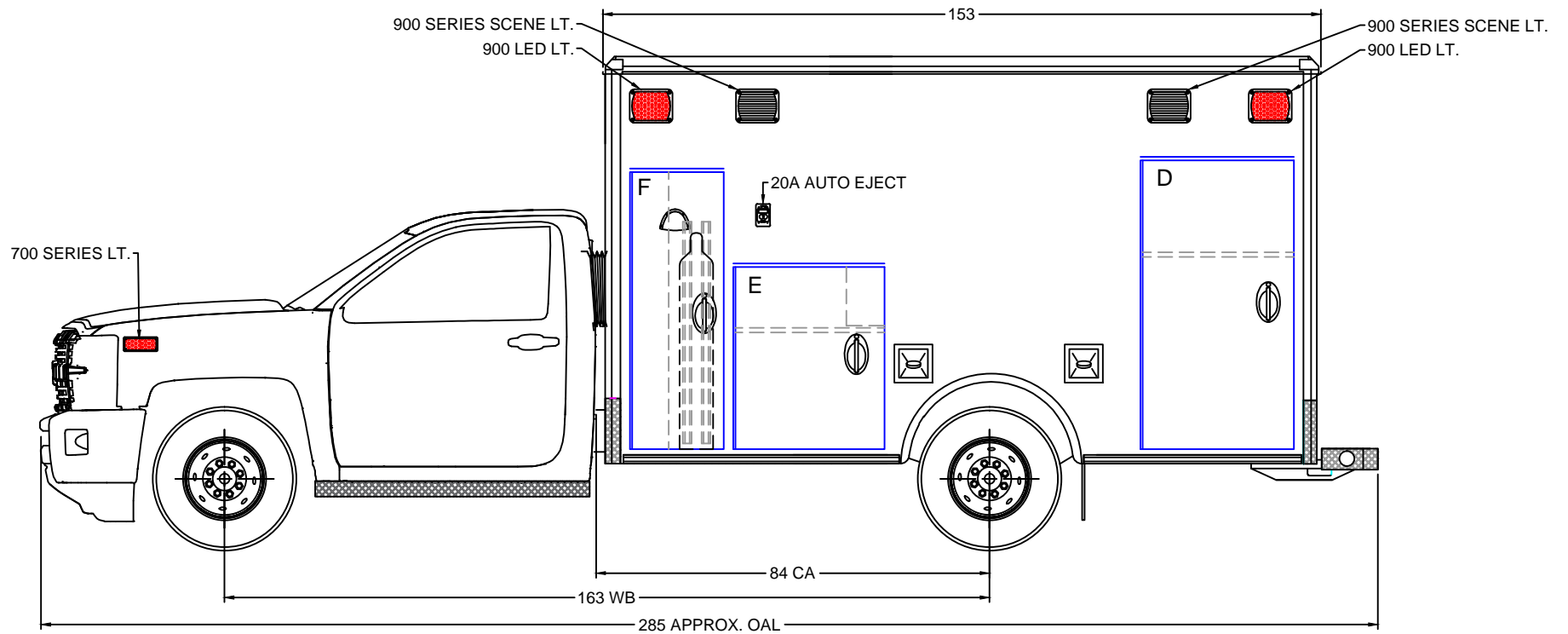
DATE:	03/21/18	SCALE:	
DWN BY:	SG	DWG NO:	1 / 9

50" AISLE


CA101740

MODEL 1153C

153 x 95 x 67



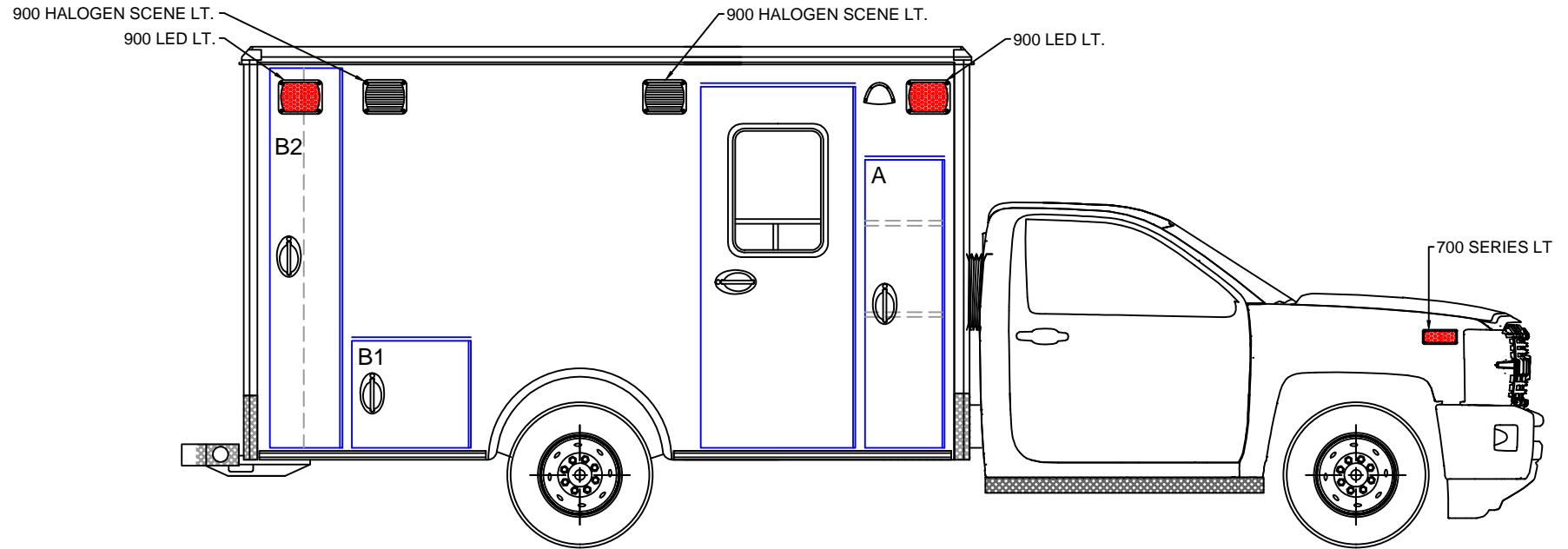
BE ADVISED THAT THESE ARE PRELIMINARY LAYOUTS INTENDED TO ILLUSTRATE DESIGN INTENT AND DIMENSIONS ARE FOR REFERENCE ONLY PRIOR TO FINAL ENGINEERING

EXTERIOR COMPARTMENT DIMENSIONS IN INCHES												 3500 TYPE 1 CHEVY 2018 LEFT EXT. VIEW
INTERIOR DIMENSIONS				JAMB OPENING		INTERIOR DIMENSIONS				JAMB OPENING		
COMPT.	HEIGHT	WIDTH	DEPTH	HEIGHT	WIDTH	COMPT.	HEIGHT	WIDTH	DEPTH	HEIGHT	WIDTH	
D	61.75	32.75	17.00	58.50	29.25							
E	39.00	32.25	17.00	37.00	30.00							
F	59.00	20.00	17.00	58.50	16.75							
50" AISLE												DATE 03/21/18 DRAWN BY SG SCALE DWG NO 2 / 9

CA101740

MODEL 1153C

153 x 95 x 67



BE ADVISED THAT THESE ARE PRELIMINARY LAYOUTS INTENDED TO ILLUSTRATE DESIGN INTENT AND DIMENSIONS ARE FOR REFERENCE ONLY PRIOR TO FINAL ENGINEERING

EXTERIOR COMPARTMENT DIMENSIONS IN INCHES

INTERIOR DIMENSIONS				JAMB OPENING		INTERIOR DIMENSIONS				JAMB OPENING	
COMPT.	HEIGHT	WIDTH	DEPTH	HEIGHT	WIDTH	COMPT.	HEIGHT	WIDTH	DEPTH	HEIGHT	WIDTH
A				60.50	16.75						
B1	22.25	25.00	17.00	19.25	22.75						
B2	80.00	15.25	18.50	76.75	13.00						



3500 TYPE 1 CHEVY 2018

RIGHT EXT. VIEW

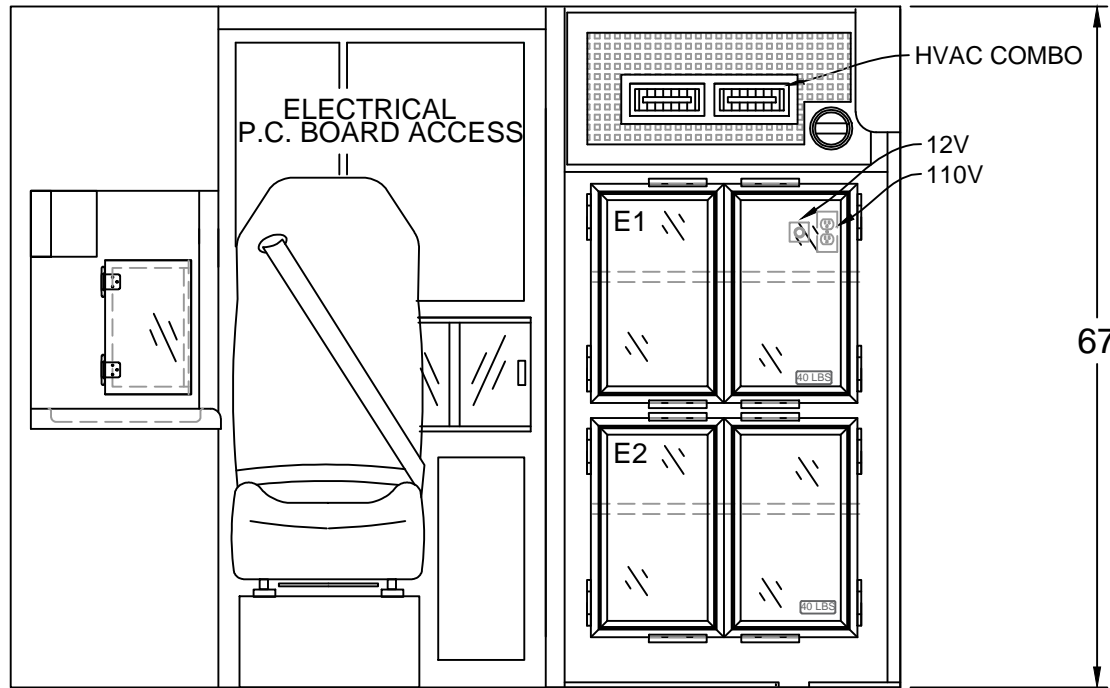
DATE	03/21/18	SCALE	
DRAWN BY	SG	DWG NO	3 / 9

50" AISLE


CA101740

MODEL 1153C

153 x 95 x 67



BE ADVISED THAT THESE ARE PRELIMINARY LAYOUTS INTENDED TO ILLUSTRATE DESIGN INTENT AND DIMENSIONS ARE FOR REFERENCE ONLY PRIOR TO FINAL ENGINEERING

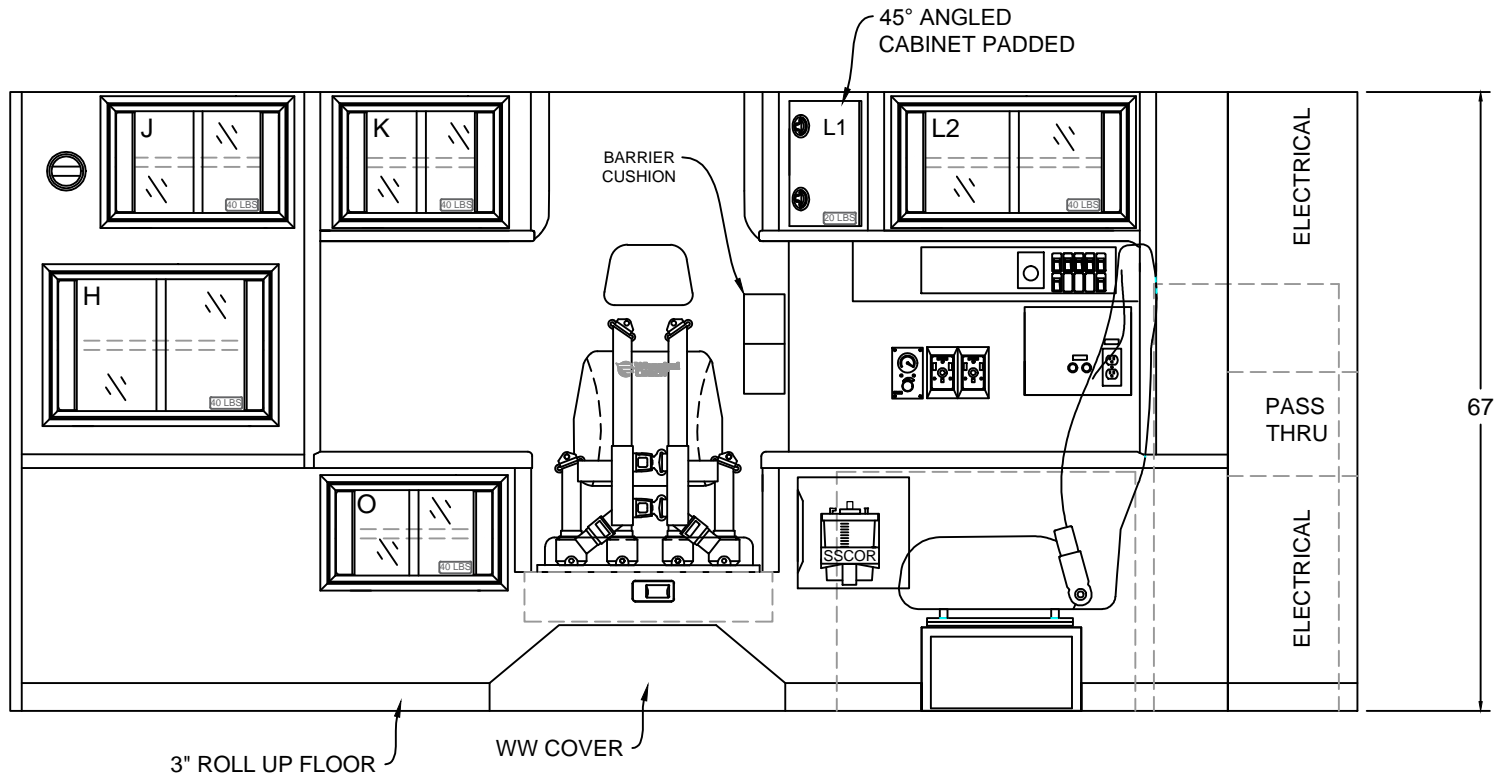
CABINET WEIGHT RATINGS: NON-RESTOCKING = 40 LBS. RESTOCKING = 30 LBS.	INTERIOR CABINET DIMENSIONS IN INCHES								
	CABINET	HEIGHT	WIDTH	DEPTH	CABINET	HEIGHT	WIDTH	DEPTH	
	E1	21.00	33.50	22.25					
	E2	21.00	33.50	22.25					
								3500 TYPE 1 CHEVY 2018 BULKHEAD INTERIOR	
								DATE 03/21/18	SCALE
								DRAWN BY SG	DWG NO 4 / 9

50" AISLE

CA101740

MODEL 1153C

153 x 95 x 67



INTERIOR CABINET DIMENSIONS IN INCHES

CABINET	HEIGHT	WIDTH	DEPTH		CABINET	HEIGHT	WIDTH	DEPTH	
H	16.75	29.00	IS/OS		O	14.25	20.25	17.50	
J	15.25	24.00	17.50						
K	15.25	18.75	12.00						
L1	15.25	10.00	15.25						
L2	15.25	25.25	15.25						



3500 TYPE 1 CHEVY 2018

LEFT INTERIOR

50" AISLE

CABINET WEIGHT RATINGS:  
NON-RESTOCKING = 40 LBS.  
RESTOCKING = 30 LBS.

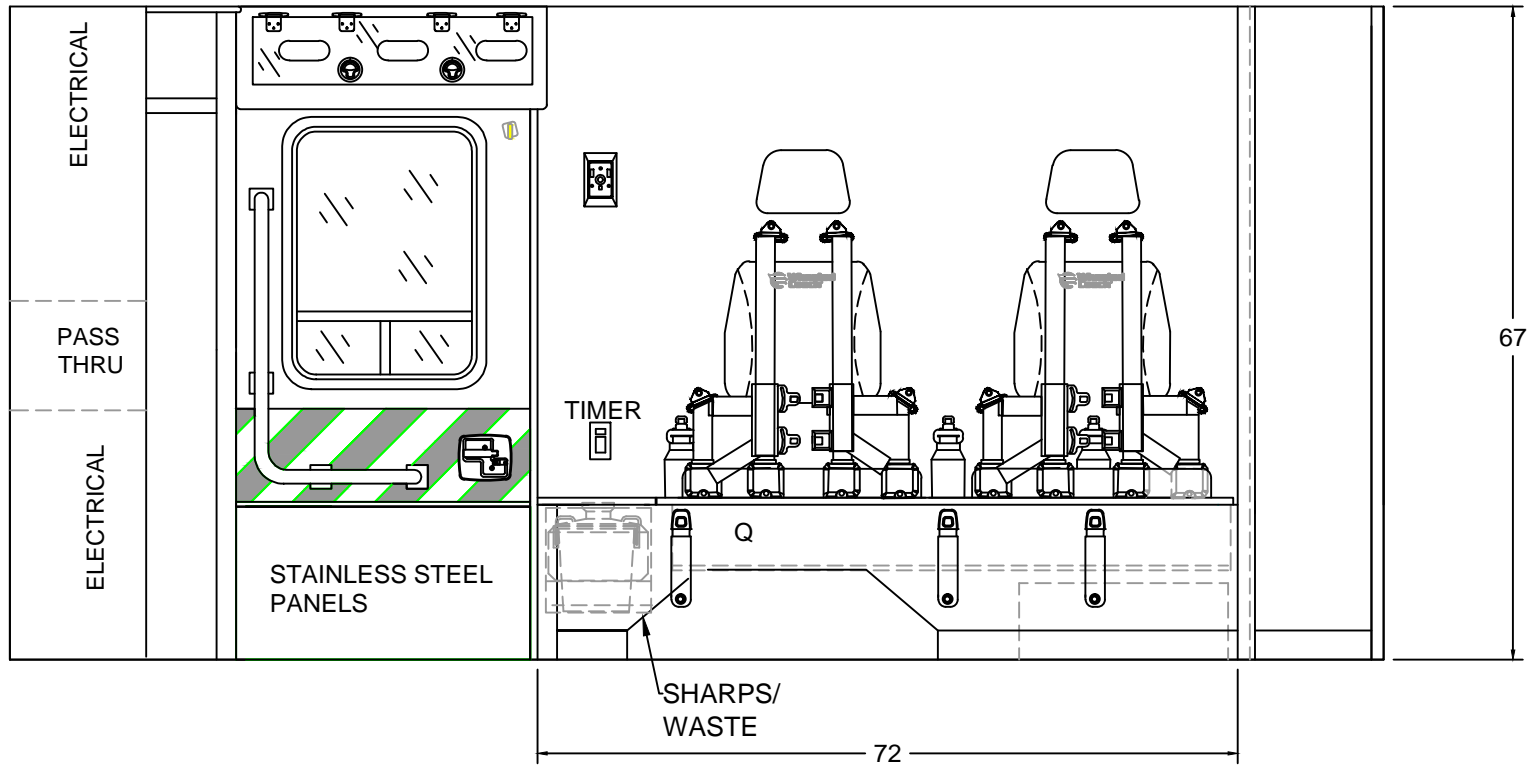
BE ADVISED THAT THESE ARE PRELIMINARY LAYOUTS INTENDED TO ILLUSTRATE DESIGN INTENT AND DIMENSIONS ARE FOR REFERENCE ONLY PRIOR TO FINAL ENGINEERING

DATE:	03/21/18	SCALE:	
DWN BY:	SG	DWG NO:	5 / 9

CA101740

MODEL 1153C

153 x 95 x 67



INTERIOR CABINET DIMENSIONS IN INCHES

COMPT.	HEIGHT	WIDTH	DEPTH		COMPT.	HEIGHT	WIDTH	DEPTH	
Q	6.00	59.75	16.75						

50" AISLE

CABINET WEIGHT RATINGS:  
NON-RESTOCKING = 40 LBS.  
RESTOCKING = 30 LBS.

BE ADVISED THAT THESE ARE PRELIMINARY LAYOUTS INTENDED TO ILLUSTRATE DESIGN INTENT AND DIMENSIONS ARE FOR REFERENCE ONLY PRIOR TO FINAL ENGINEERING



3500 TYPE 1 CHEVY 2018  
RIGHT INTERIOR

DATE: 03/21/18

SCALE

DRAWN BY

SG

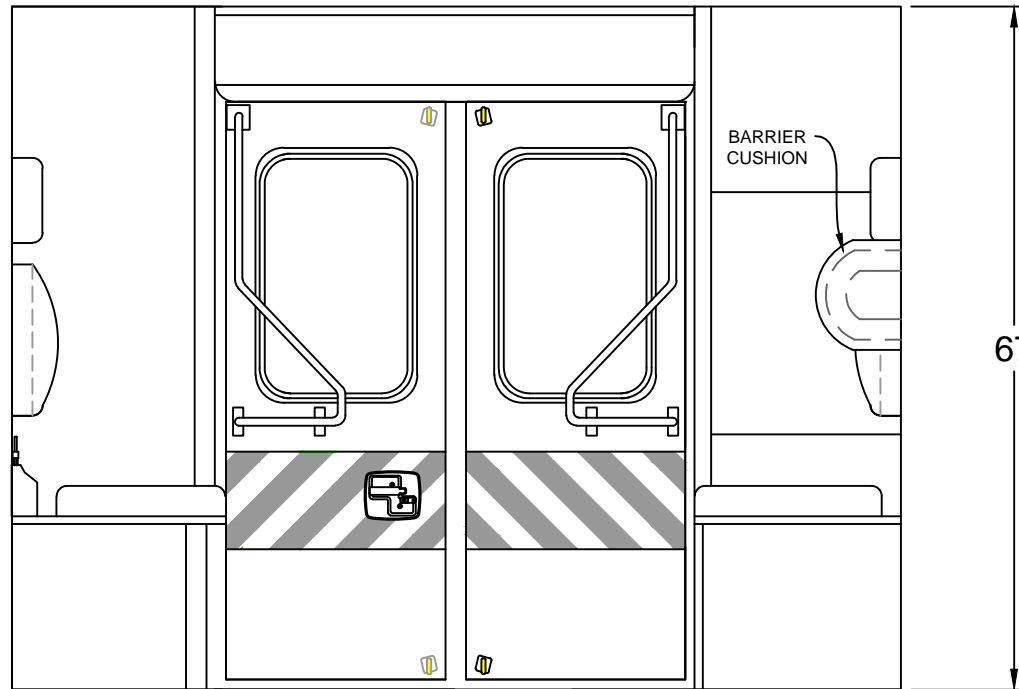
DWG NO

6 / 9

CA101740

MODEL 1153C

153 x 95 x 67



INTERIOR CABINET DIMENSIONS IN INCHES



3500 TYPE 1 CHEVY 2018

REAR BULKHEAD INTERIOR

DATE:	03/21/18	SCALE	
DWY BY:	SG	DWG NO:	7 / 9

COMPT.	HEIGHT	WIDTH	DEPTH		COMPT.	HEIGHT	WIDTH	DEPTH	

50" AISLE

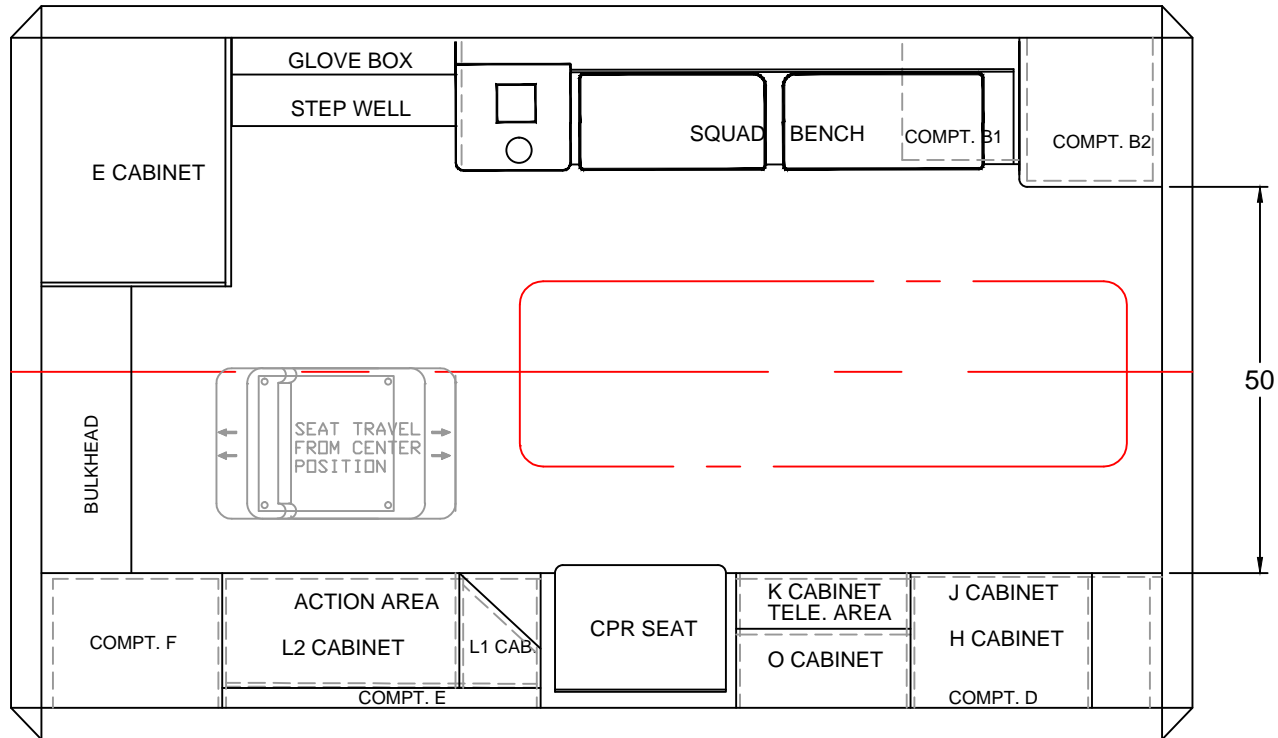
CABINET WEIGHT RATINGS:  
NON-RESTOCKING = 40 LBS.  
RESTOCKING = 30 LBS.

BE ADVISED THAT THESE ARE PRELIMINARY LAYOUTS INTENDED TO ILLUSTRATE DESIGN INTENT AND DIMENSIONS ARE FOR REFERENCE ONLY PRIOR TO FINAL ENGINEERING

CA101740

MODEL 1153C

153 x 95 x 67



BE ADVISED THAT THESE ARE PRELIMINARY LAYOUTS INTENDED TO ILLUSTRATE DESIGN INTENT AND DIMENSIONS ARE FOR REFERENCE ONLY PRIOR TO FINAL ENGINEERING

INTERIOR CABINET DIMENSIONS IN INCHES

CABINET	HEIGHT	WIDTH	DEPTH	CABINET	HEIGHT	WIDTH	DEPTH



3500 TYPE 1 CHEVY 2018  
FLOOR PLAN

DATE: 03/21/18 SCALE  
OWN BY: SG DWG NO: 8 / 9

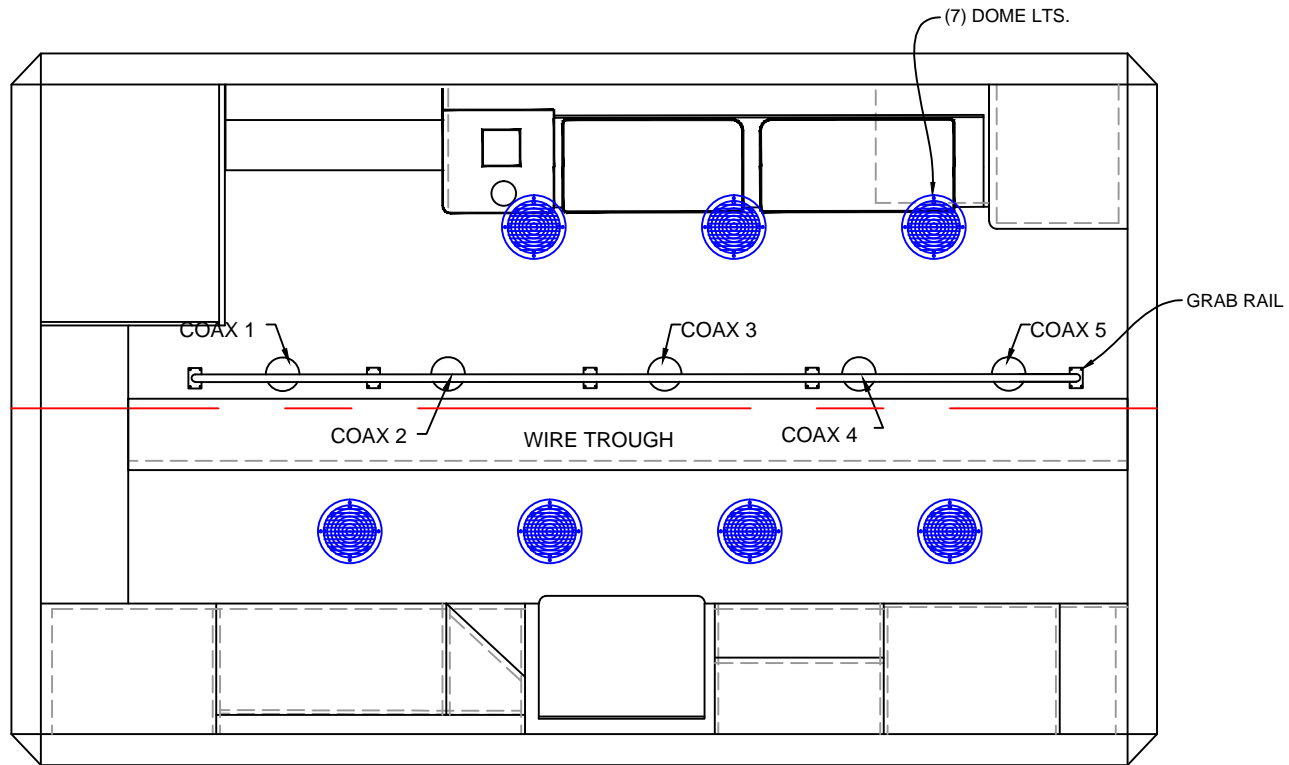
50" AISLE



CA101740

MODEL 1153C

153 x 95 x 67



BE ADVISED THAT THESE ARE PRELIMINARY LAYOUTS INTENDED TO ILLUSTRATE DESIGN INTENT AND DIMENSIONS ARE FOR REFERENCE ONLY PRIOR TO FINAL ENGINEERING

INTERIOR CABINET DIMENSIONS IN INCHES

CABINET	HEIGHT	WIDTH	DEPTH	CABINET	HEIGHT	WIDTH	DEPTH



3500 TYPE 1 CHEVY 2018  
LINER

DATE: 03/21/18 SCALE:  
DWN BY: SG DWG NO: 9 / 9

50" AISLE