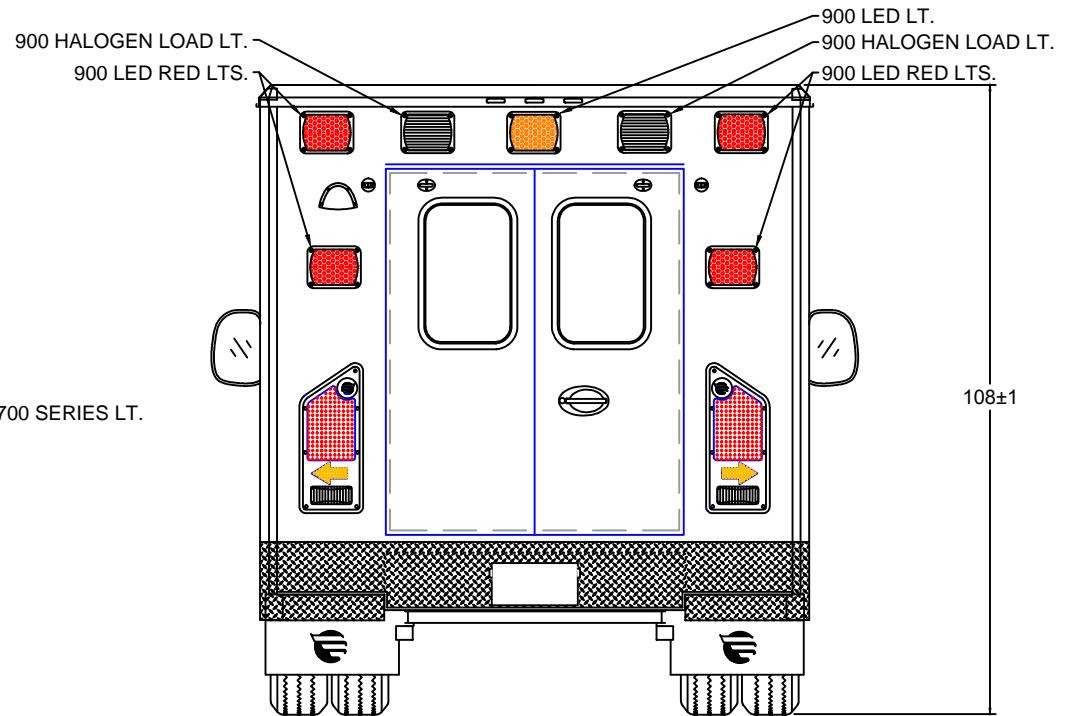
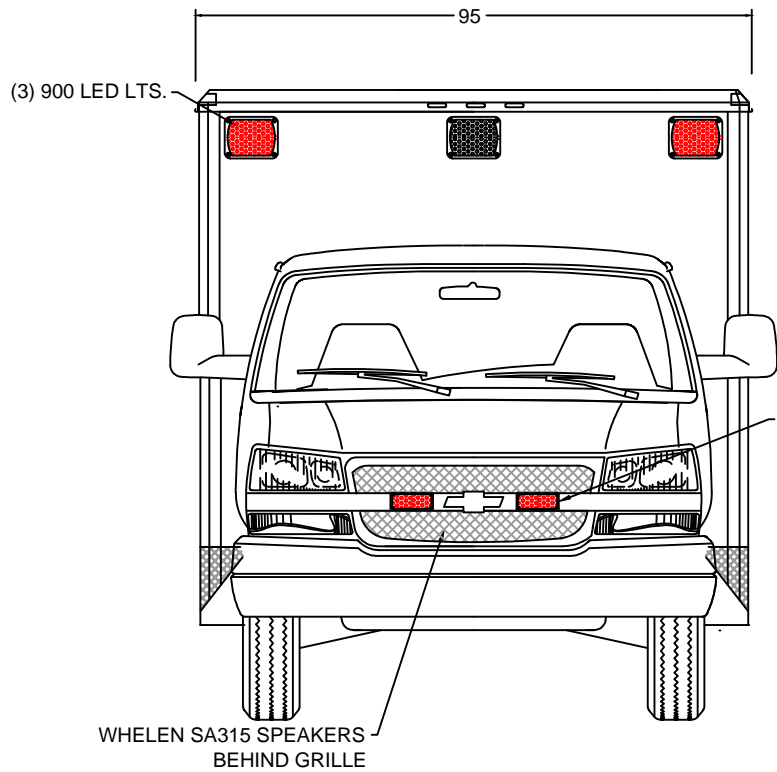


CA164519

MODEL 3165C

165 x 95 x 72



EXTERIOR COMPARTMENT DIMENSIONS IN INCHES

INTERIOR DIMENSIONS				PASS THRU		INTERIOR DIMENSIONS				JAMB OPENING	
COMPT.	HEIGHT	WIDTH	DEPTH	HEIGHT	WIDTH	COMPT.	HEIGHT	WIDTH	DEPTH	HEIGHT	WIDTH



TYPE 3 CHEVY 2018
FRONT / REAR
EXTERIOR VIEWS

BE ADVISED THAT THESE ARE PRELIMINARY LAYOUTS INTENDED TO ILLUSTRATE DESIGN INTENT AND DIMENSIONS ARE FOR REFERENCE ONLY PRIOR TO FINAL ENGINEERING

DATE: 04/19/18

SCALE

DWN BY: SG

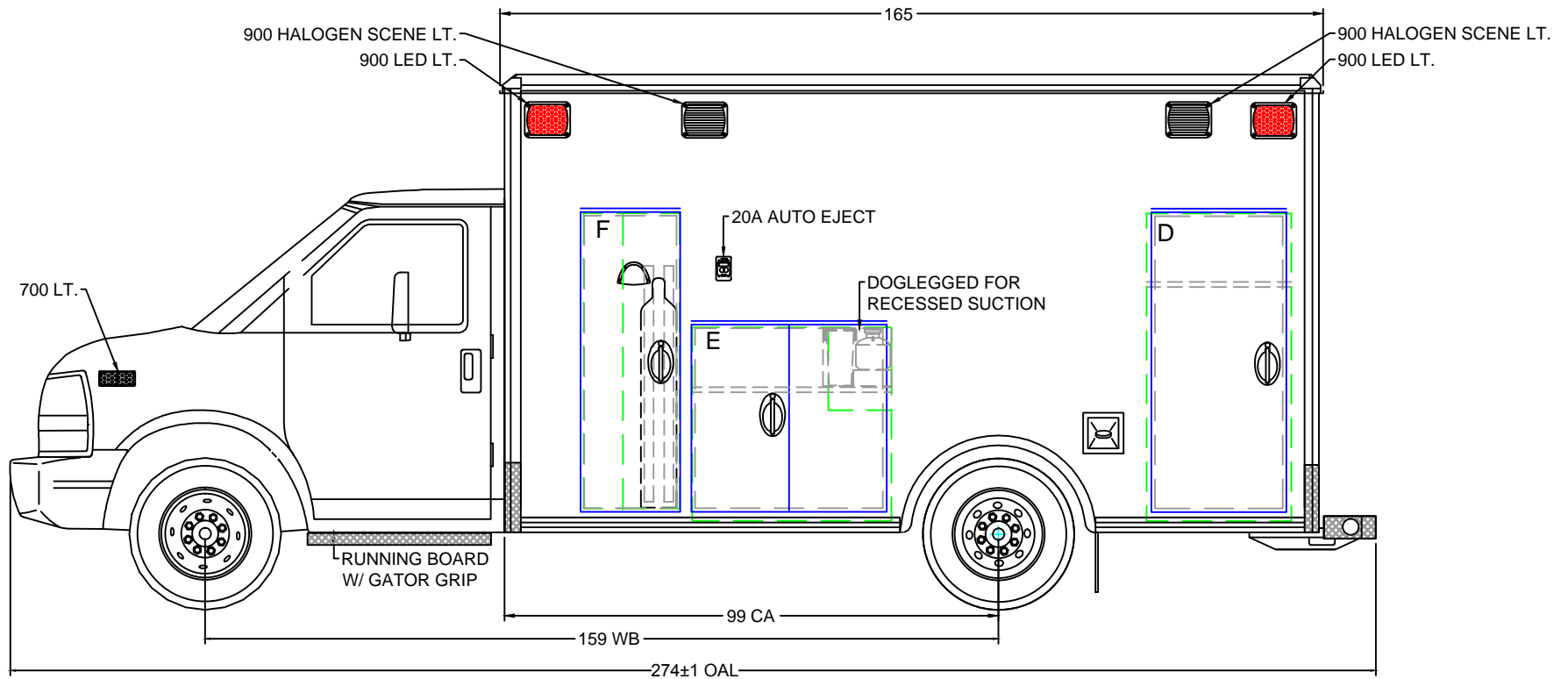
DWG NO: 1 / 9

50" AISLE

CA164519

MODEL 3165C

165 x 95 x 72



BE ADVISED THAT THESE ARE PRELIMINARY LAYOUTS INTENDED TO ILLUSTRATE DESIGN INTENT AND DIMENSIONS ARE FOR REFERENCE ONLY PRIOR TO FINAL ENGINEERING

EXTERIOR COMPARTMENT DIMENSIONS IN INCHES

INTERIOR DIMENSIONS				JAMB OPENING		INTERIOR DIMENSIONS				JAMB OPENING	
COMPT.	HEIGHT	WIDTH	DEPTH	HEIGHT	WIDTH	COMPT.	HEIGHT	WIDTH	DEPTH	HEIGHT	WIDTH
D	61.50	29.00	17.00	58.50	25.50						
E	39.00	40.00	17.00	37.00	37.50						
F	59.00	19.00	21.75/17.00	58.50	18.50						



TYPE 3 CHEVY 2018

LEFT EXT. VIEW

DATE 04/19/18

SCALE

DRAWN BY SG

DWG NO

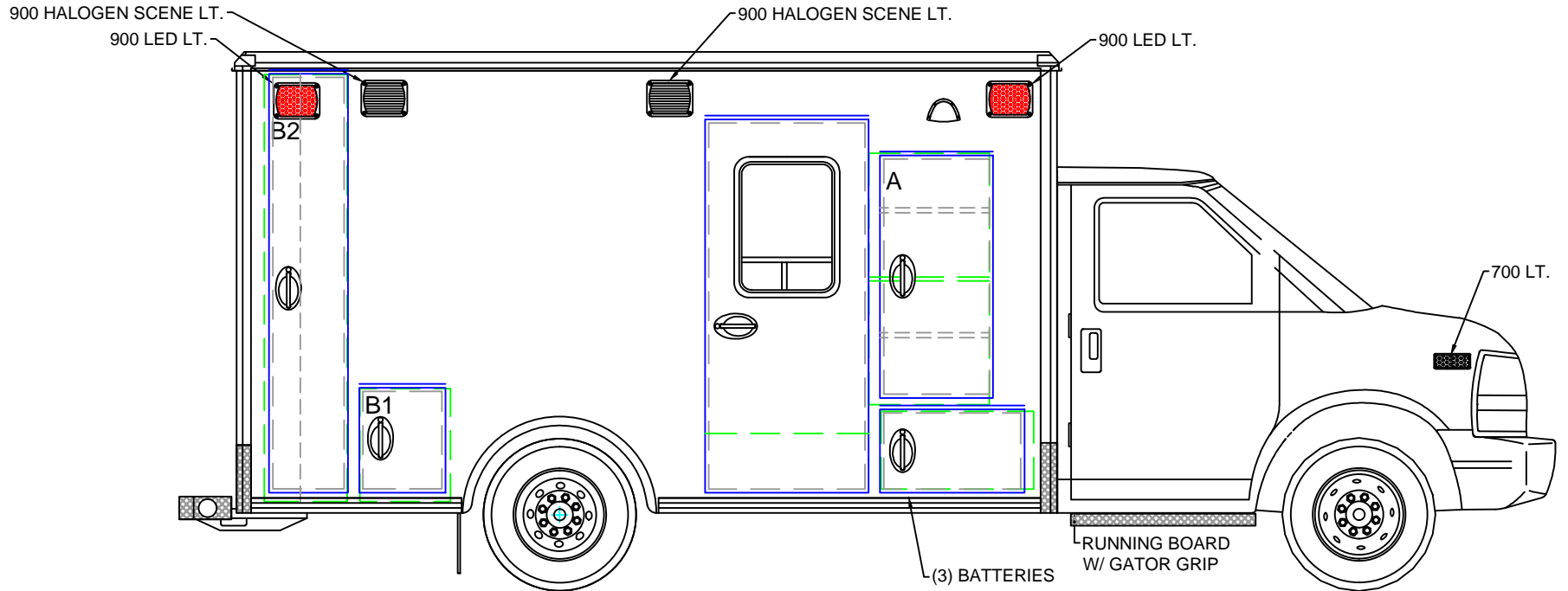
2 / 9

50" AISLE


CA164519

MODEL 3165C

165 x 95 x 72



BE ADVISED THAT THESE ARE PRELIMINARY LAYOUTS INTENDED TO ILLUSTRATE DESIGN INTENT AND DIMENSIONS ARE FOR REFERENCE ONLY PRIOR TO FINAL ENGINEERING

EXTERIOR COMPARTMENT DIMENSIONS IN INCHES												
INTERIOR DIMENSIONS				JAMB OPENING		INTERIOR DIMENSIONS				JAMB OPENING		
COMPT.	HEIGHT	WIDTH	DEPTH	HEIGHT	WIDTH	COMPT.	HEIGHT	WIDTH	DEPTH	HEIGHT	WIDTH	
A	50.00	24.00	33.50	46.75	21.00							
LOWER-A	15.50	30.25	19.00	15.00	27.25							
B1	22.50	18.00	15.50	19.25	15.50							
B2	85.00	16.50	18.25	81.75	14.00							
50" AISLE												DATE 04/19/18 SCALE DRAWN BY SG DWG NO 3 / 9



TYPE 3 CHEVY 2018

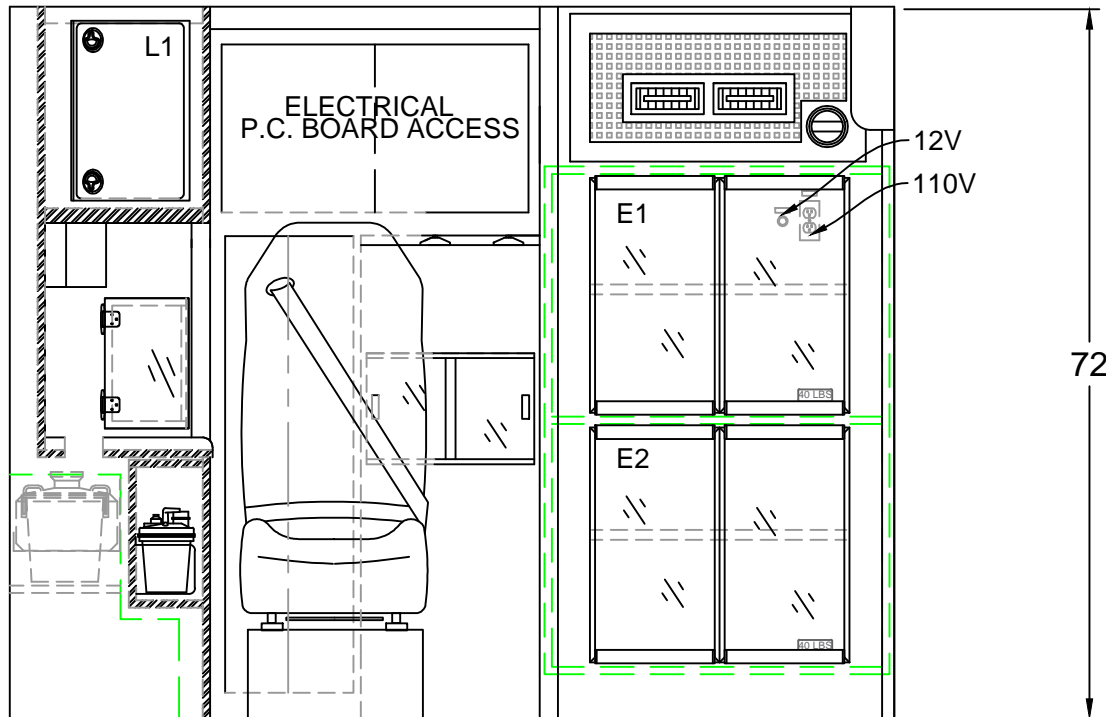
RIGHT EXT. VIEW

DATE 04/19/18 SCALE
 DRAWN BY SG DWG NO 3 / 9


CA164519

MODEL 3165C

165 x 95 x 72



BE ADVISED THAT THESE ARE PRELIMINARY LAYOUTS INTENDED TO ILLUSTRATE DESIGN INTENT AND DIMENSIONS ARE FOR REFERENCE ONLY PRIOR TO FINAL ENGINEERING

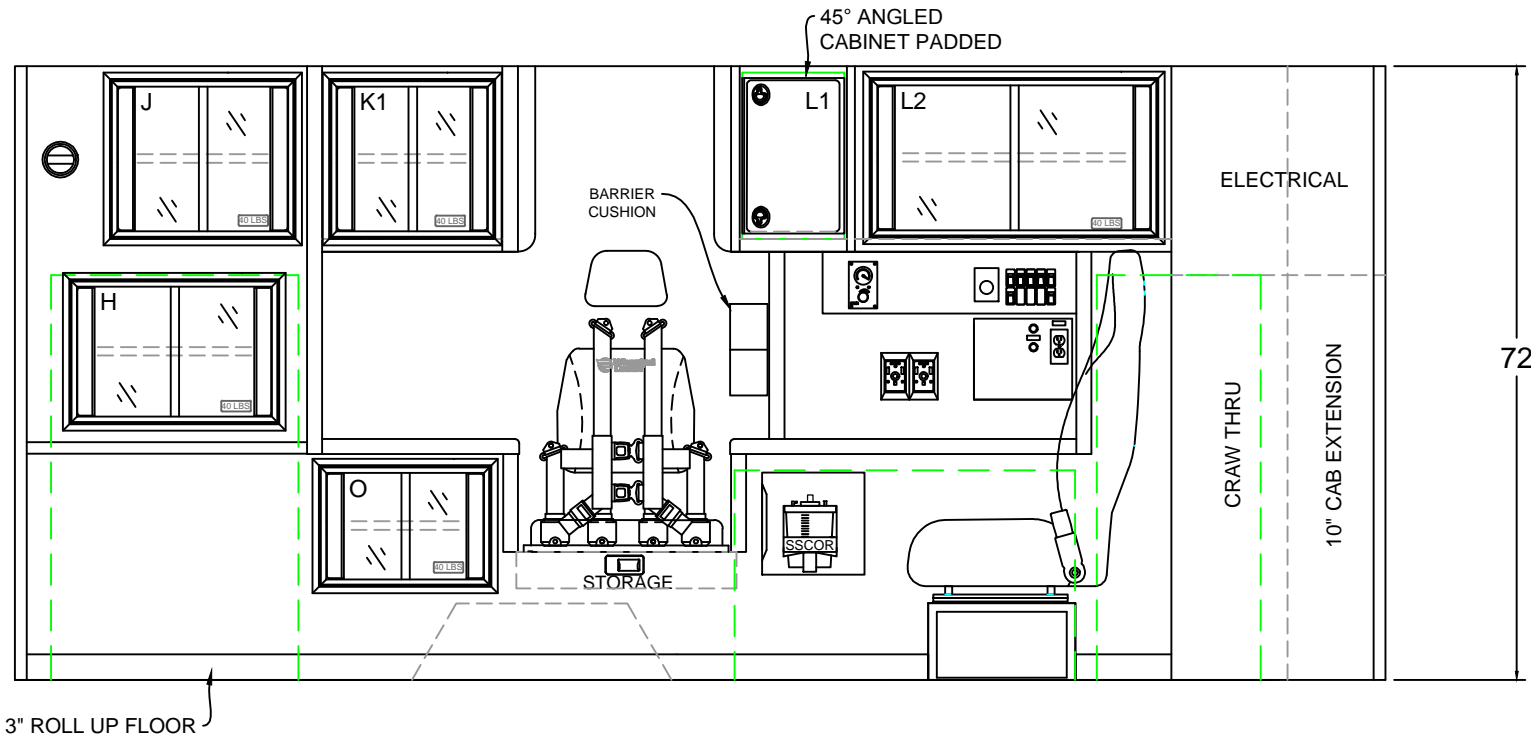
CABINET WEIGHT RATINGS: NON-RESTOCKING = 40 LBS. RESTOCKING = 30 LBS.	INTERIOR CABINET DIMENSIONS IN INCHES								
	CABINET	HEIGHT	WIDTH	DEPTH	CABINET	HEIGHT	WIDTH	DEPTH	
	E1	24.50	33.50	24.00					
	E2	24.50	33.50	24.00					
								DATE 04/19/18 SCALE DRAWN BY SG DWG NO 4 / 9	

50" AISLE

CA164519

MODEL 3165C

165 x 95 x 72



INTERIOR CABINET DIMENSIONS IN INCHES

CABINET	HEIGHT	WIDTH	DEPTH		CABINET	HEIGHT	WIDTH	DEPTH	
H	17.00	24.50	IS/OS		O	14.25	20.25	17.50	
J	18.75	21.75	17.50		CPR SEAT	4.25	21.25	17.50	
K1	18.75	19.50	12.00						
L1	19.25	12.00	15.25						
L2	18.75	33.75	15.25						



TYPE 3 CHEVY 2018

LEFT INTERIOR

DATE: 04/19/18 SCALE:

DWN BY: SG DWG NO: 5 / 9

50" AISLE

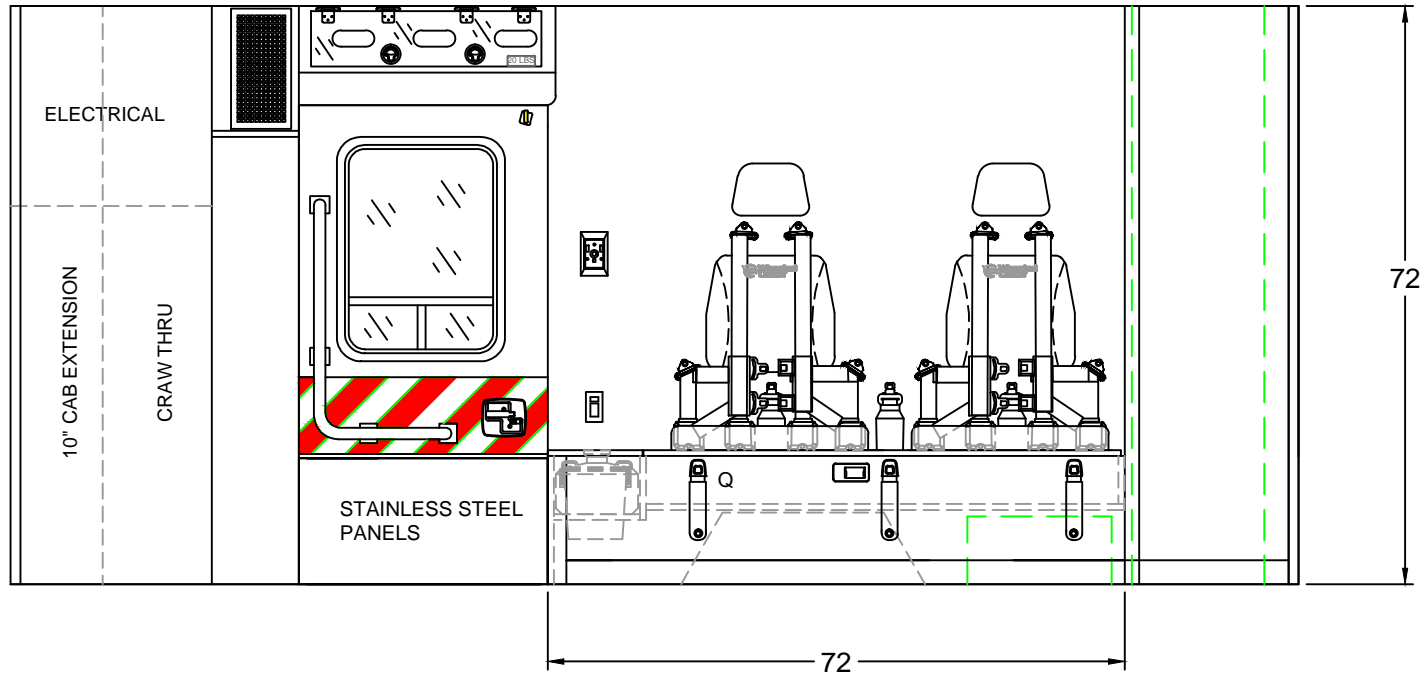
CABINET WEIGHT RATINGS:
NON-RESTOCKING = 40 LBS.
RESTOCKING = 30 LBS.

BE ADVISED THAT THESE ARE PRELIMINARY LAYOUTS INTENDED TO ILLUSTRATE DESIGN INTENT AND DIMENSIONS ARE FOR REFERENCE ONLY PRIOR TO FINAL ENGINEERING

CA164519

MODEL 3165C

165 x 95 x 72



INTERIOR CABINET DIMENSIONS IN INCHES



TYPE 3 CHEVY 2018
RIGHT INTERIOR

COMPT.	HEIGHT	WIDTH	DEPTH		COMPT.	HEIGHT	WIDTH	DEPTH	
Q	6.00	59.00	16.75						

50" AISLE

CABINET WEIGHT RATINGS:
NON-RESTOCKING = 40 LBS.
RESTOCKING = 30 LBS.

BE ADVISED THAT THESE ARE PRELIMINARY LAYOUTS INTENDED TO ILLUSTRATE DESIGN INTENT AND DIMENSIONS ARE FOR REFERENCE ONLY PRIOR TO FINAL ENGINEERING

DATE: 04/19/18

SCALE

OWN BY

SG

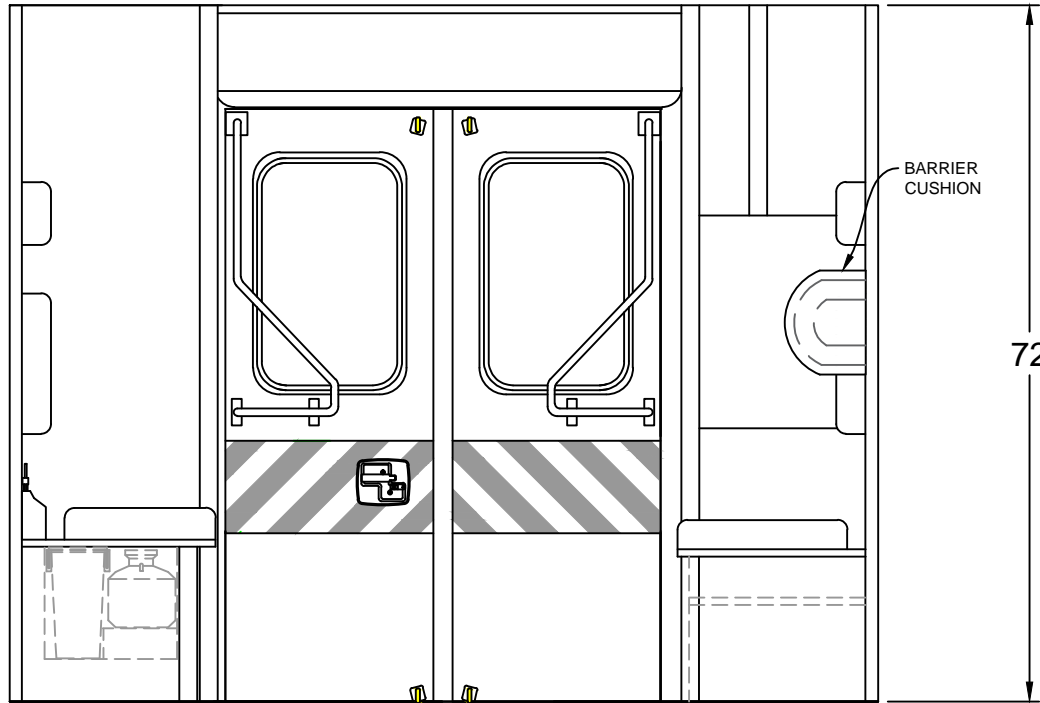
DWG NO

6 / 9

CA164519

MODEL 3165C

165 x 95 x 72



INTERIOR CABINET DIMENSIONS IN INCHES



COMPT.	HEIGHT	WIDTH	DEPTH		COMPT.	HEIGHT	WIDTH	DEPTH	

TYPE 3 CHEVY 2018

REAR BULKHEAD INTERIOR

DATE: 04/19/18 SCALE

DWY BY: SG DWG NO: 7 / 9

50" AISLE

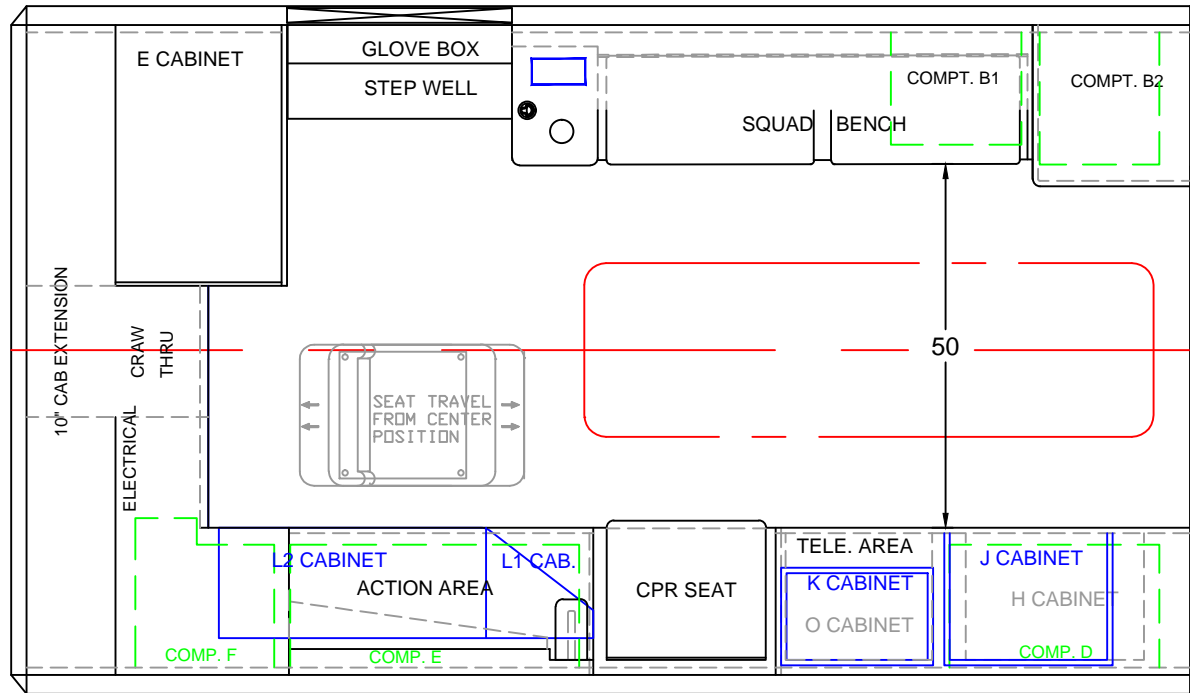
CABINET WEIGHT RATINGS:
NON-RESTOCKING = 40 LBS.
RESTOCKING = 30 LBS.

BE ADVISED THAT THESE ARE PRELIMINARY LAYOUTS INTENDED TO ILLUSTRATE DESIGN INTENT AND DIMENSIONS ARE FOR REFERENCE ONLY PRIOR TO FINAL ENGINEERING

CA164519

MODEL 3165C

165 x 95 x 72



BE ADVISED THAT THESE ARE PRELIMINARY LAYOUTS INTENDED TO ILLUSTRATE DESIGN INTENT AND DIMENSIONS ARE FOR REFERENCE ONLY PRIOR TO FINAL ENGINEERING

INTERIOR CABINET DIMENSIONS IN INCHES

CABINET	HEIGHT	WIDTH	DEPTH	CABINET	HEIGHT	WIDTH	DEPTH



TYPE 3 CHEVY 2018
FLOOR PLAN

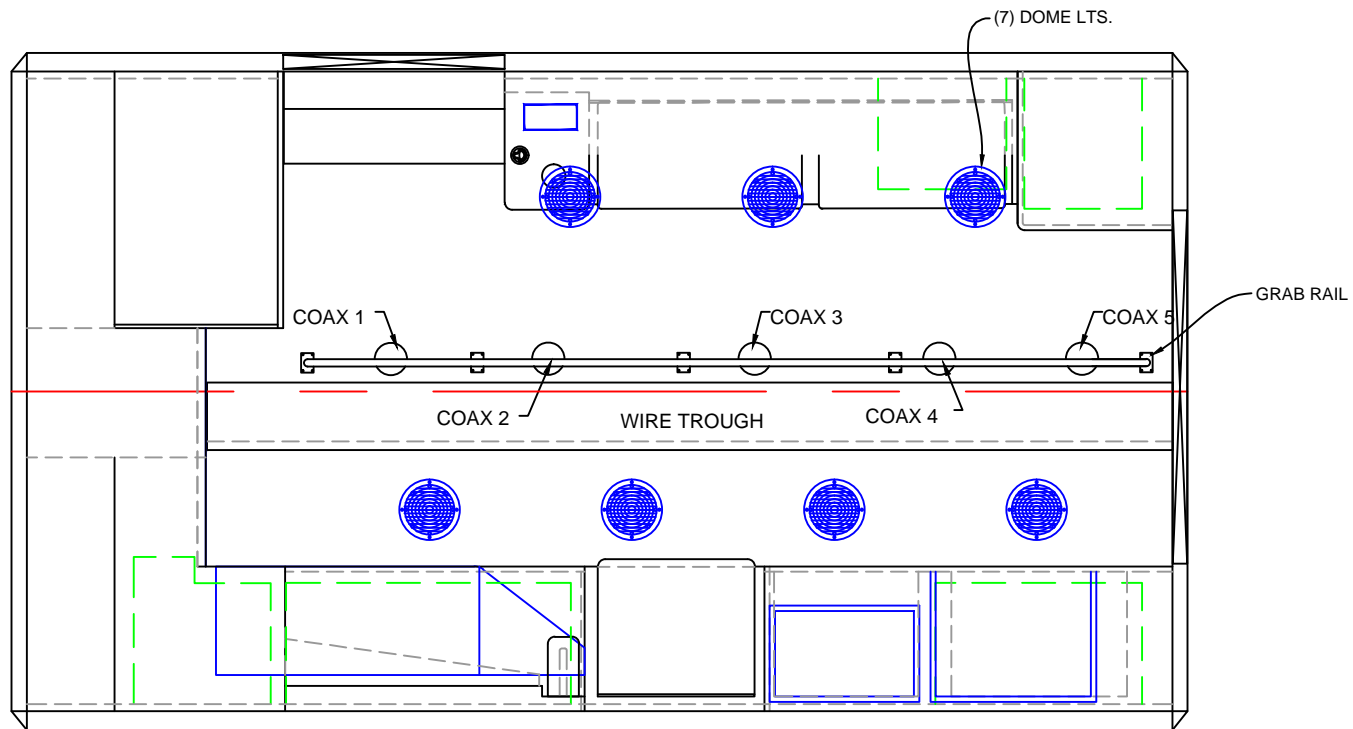
DATE: 04/19/18 SCALE
DWN BY: SG DWG NO: 8 / 9

50" AISLE

CA164519

MODEL 3165C

165 x 95 x 72



BE ADVISED THAT THESE ARE PRELIMINARY LAYOUTS INTENDED TO ILLUSTRATE DESIGN INTENT AND DIMENSIONS ARE FOR REFERENCE ONLY PRIOR TO FINAL ENGINEERING

INTERIOR CABINET DIMENSIONS IN INCHES

CABINET	HEIGHT	WIDTH	DEPTH	CABINET	HEIGHT	WIDTH	DEPTH



TYPE 3 CHEVY 2018
LINER

DATE: 04/19/18 SCALE:
DWN BY: SG DWG NO: 9 / 9

50" AISLE