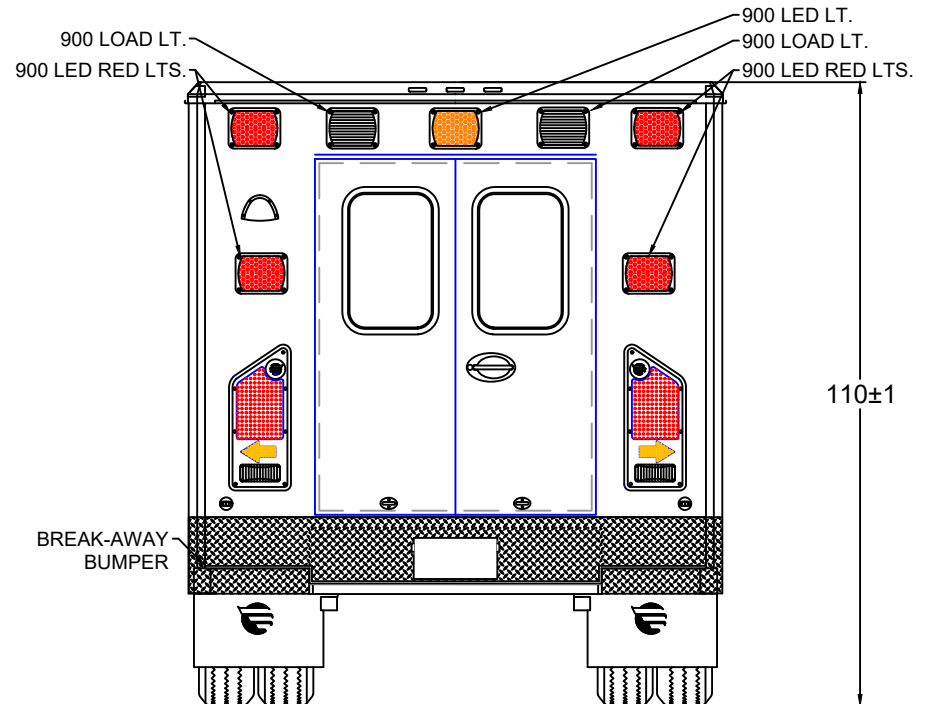
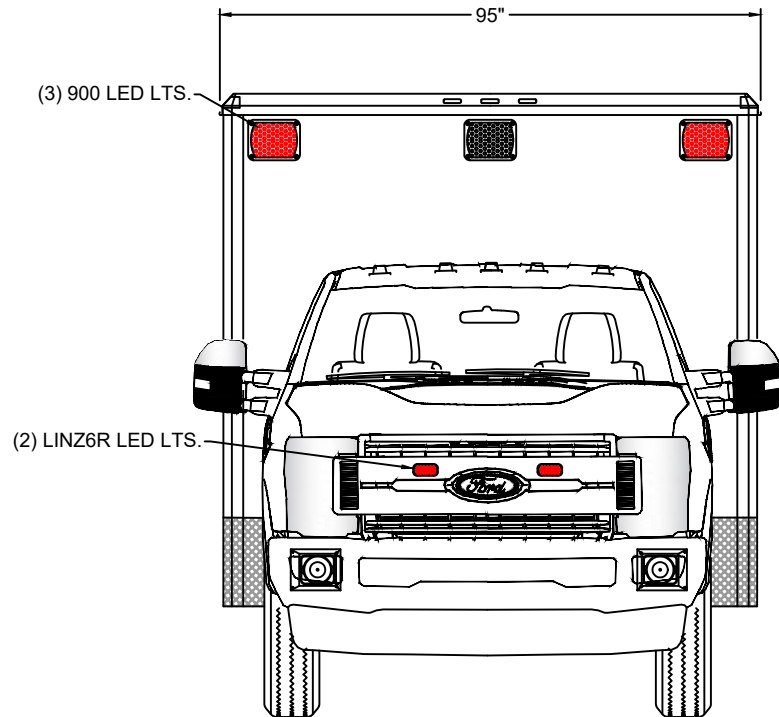


CA101740

MODEL 1153 FORD DIESEL

153 x 95 x 72



EXTERIOR COMPARTMENT DIMENSIONS IN INCHES

INTERIOR DIMENSIONS				PASS THRU		INTERIOR DIMENSIONS				JAMB OPENING	
COMPT.	HEIGHT	WIDTH	DEPTH	HEIGHT	WIDTH	COMPT.	HEIGHT	WIDTH	DEPTH	HEIGHT	WIDTH



TYPE 1 FORD 2021
FRONT / REAR
EXTERIOR VIEWS

BE ADVISED THAT THESE ARE PRELIMINARY LAYOUTS INTENDED TO ILLUSTRATE DESIGN INTENT AND DIMENSIONS ARE FOR REFERENCE ONLY PRIOR TO FINAL ENGINEERING

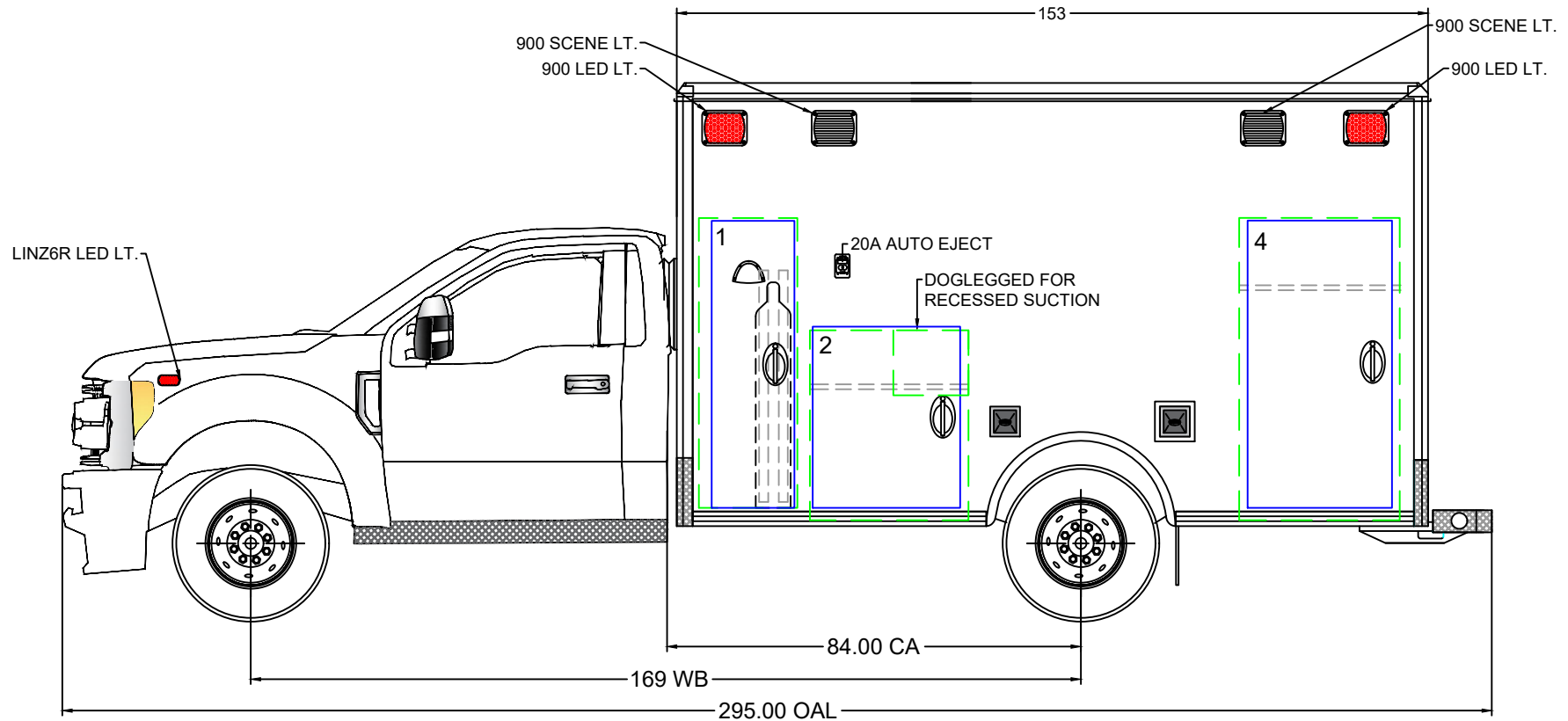
DATE:	1/20/21	SCALE
DWN BY:	AP	DWG NO 1 / 9

50" AISLE

CA101740

MODEL 1153 FORD DIESEL

153 x 95 x 72



BE ADVISED THAT THESE ARE PRELIMINARY LAYOUTS INTENDED TO ILLUSTRATE DESIGN INTENT AND DIMENSIONS ARE FOR REFERENCE ONLY PRIOR TO FINAL ENGINEERING

EXTERIOR COMPARTMENT DIMENSIONS IN INCHES

INTERIOR DIMENSIONS				JAMB OPENING		INTERIOR DIMENSIONS				JAMB OPENING	
COMPT.	HEIGHT	WIDTH	DEPTH	HEIGHT	WIDTH	COMPT.	HEIGHT	WIDTH	DEPTH	HEIGHT	WIDTH
1	59.00	20.00	17.00	58.50	16.75						
2	38.75	32.25	17.00	37.00	30.00						
4	61.50	32.75	17.00	58.50	29.50						



TYPE 1 FORD 2021

LEFT EXT. VIEW

DATE 1/20/21

SCALE

DRAWN BY AP

DWG NO

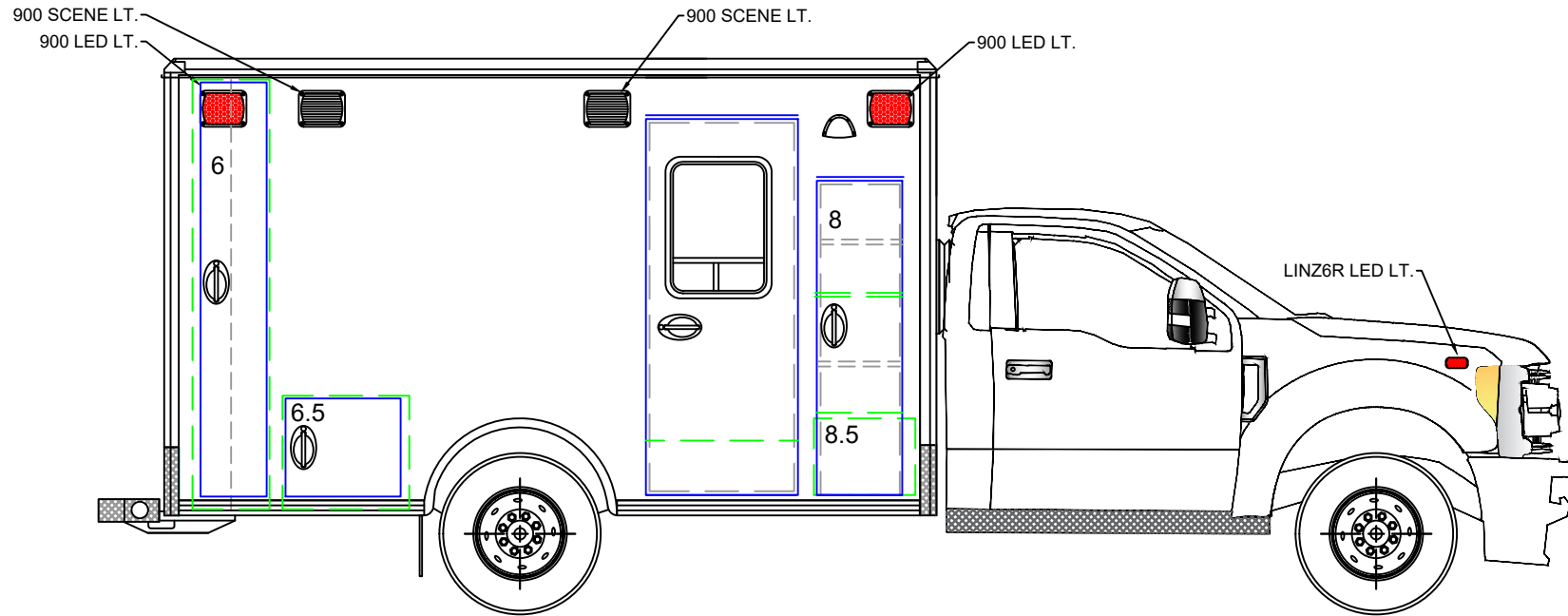
2 / 9

50" AISLE

CA101740

MODEL 1153 FORD DIESEL

153 x 95 x 72



BE ADVISED THAT THESE ARE PRELIMINARY LAYOUTS INTENDED TO ILLUSTRATE DESIGN INTENT AND DIMENSIONS ARE FOR REFERENCE ONLY PRIOR TO FINAL ENGINEERING

EXTERIOR COMPARTMENT DIMENSIONS IN INCHES

INTERIOR DIMENSIONS				JAMB OPENING		INTERIOR DIMENSIONS				JAMB OPENING	
COMPT.	HEIGHT	WIDTH	DEPTH	HEIGHT	WIDTH	COMPT.	HEIGHT	WIDTH	DEPTH	HEIGHT	WIDTH
8				65.50	16.75						
8.5	15.50	20.00	19.00								
6.5	22.25	25.00	17.00	19.25	22.75						
6	85.00	15.25	18.50	82.00	13.00						



TYPE 1 FORD 2021

RIGHT EXT. VIEW

DATE 1/20/21

SCALE

DRAWN BY AP

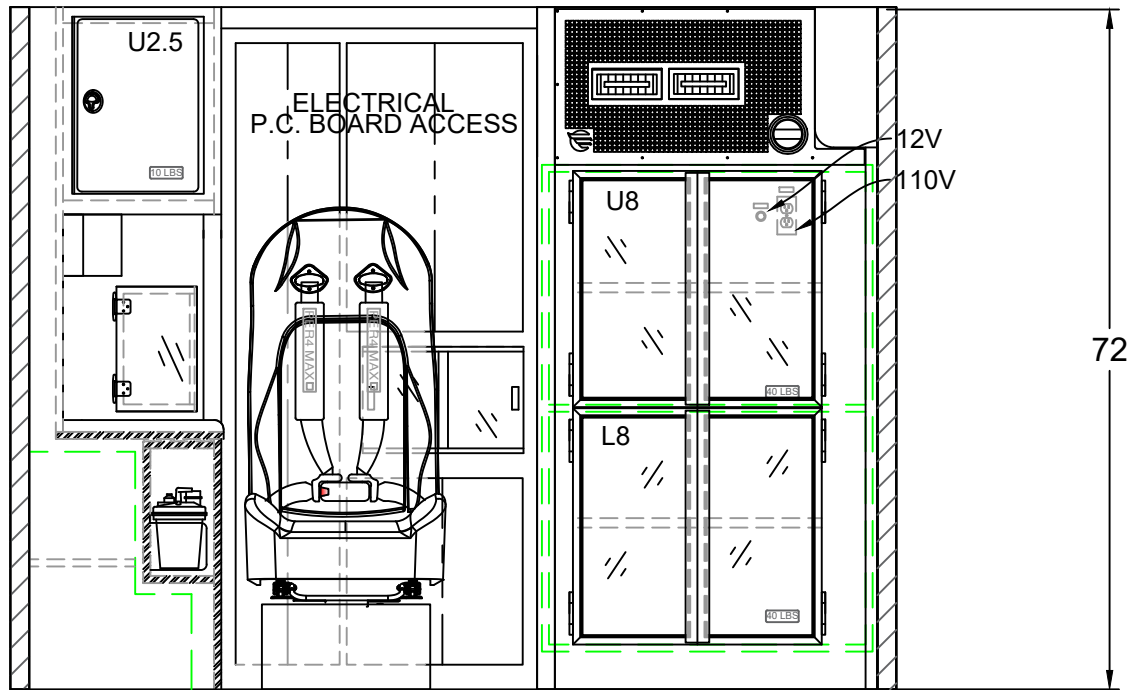
DWG NO 3 / 9

50" AISLE

CA101740

MODEL 1153 FORD DIESEL

153 x 95 x 72



BE ADVISED THAT THESE ARE PRELIMINARY LAYOUTS INTENDED TO ILLUSTRATE DESIGN INTENT AND DIMENSIONS ARE FOR REFERENCE ONLY PRIOR TO FINAL ENGINEERING

CABINET WEIGHT RATINGS:
NON-RESTOCKING = 40 LBS.
RESTOCKING = 30 LBS.

INTERIOR CABINET DIMENSIONS IN INCHES

CABINET	HEIGHT	WIDTH	DEPTH	CABINET	HEIGHT	WIDTH	DEPTH
U8	24.50	33.50	20.00				
L8	24.50	33.50	20.00				



TYPE 1 FORD 2021
BULKHEAD INTERIOR

DATE 1/20/21

SCALE

DRAWN BY AP

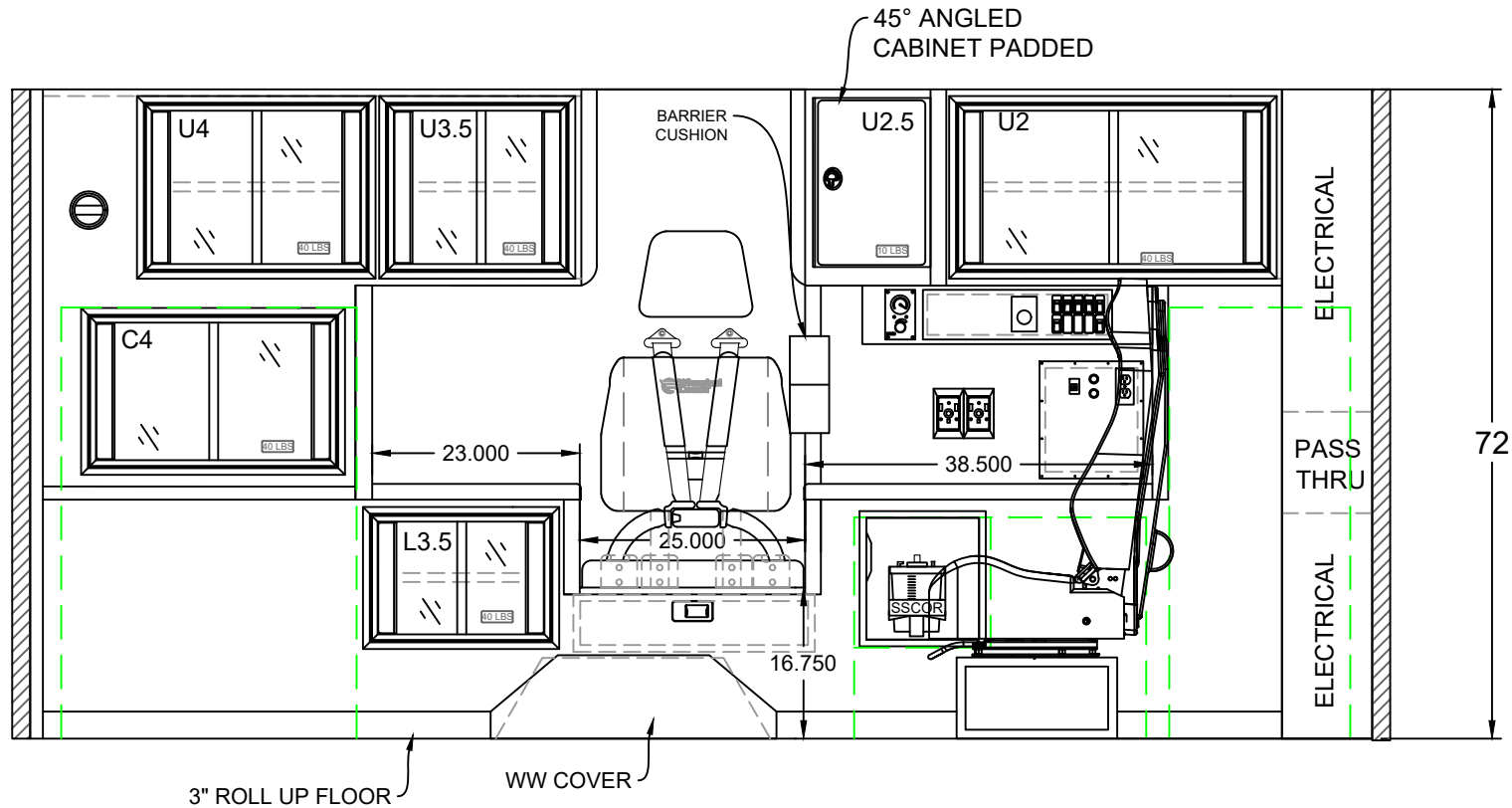
DWG NO 4 / 9

50" AISLE

CA101740

MODEL 1153 FORD DIESEL

153 x 95 x 72



INTERIOR CABINET DIMENSIONS IN INCHES

CABINET	HEIGHT	WIDTH	DEPTH		CABINET	HEIGHT	WIDTH	DEPTH	
C4	17.00	28.75	IS/OS		L3.5	14.25	20.25	18.25	
U4	18.75	25.00	18.25		CPR	4.50	23.50	18.25	
U3.5	18.75	20.25	18.25						
U2.5	19.00	16.25	16.00						
U2	18.75	34.75	16.00						



TYPE 1 FORD 2021
LEFT INTERIOR

DATE: 1/20/21 SCALE:
DWN BY: AP DWG NO: 5 / 9

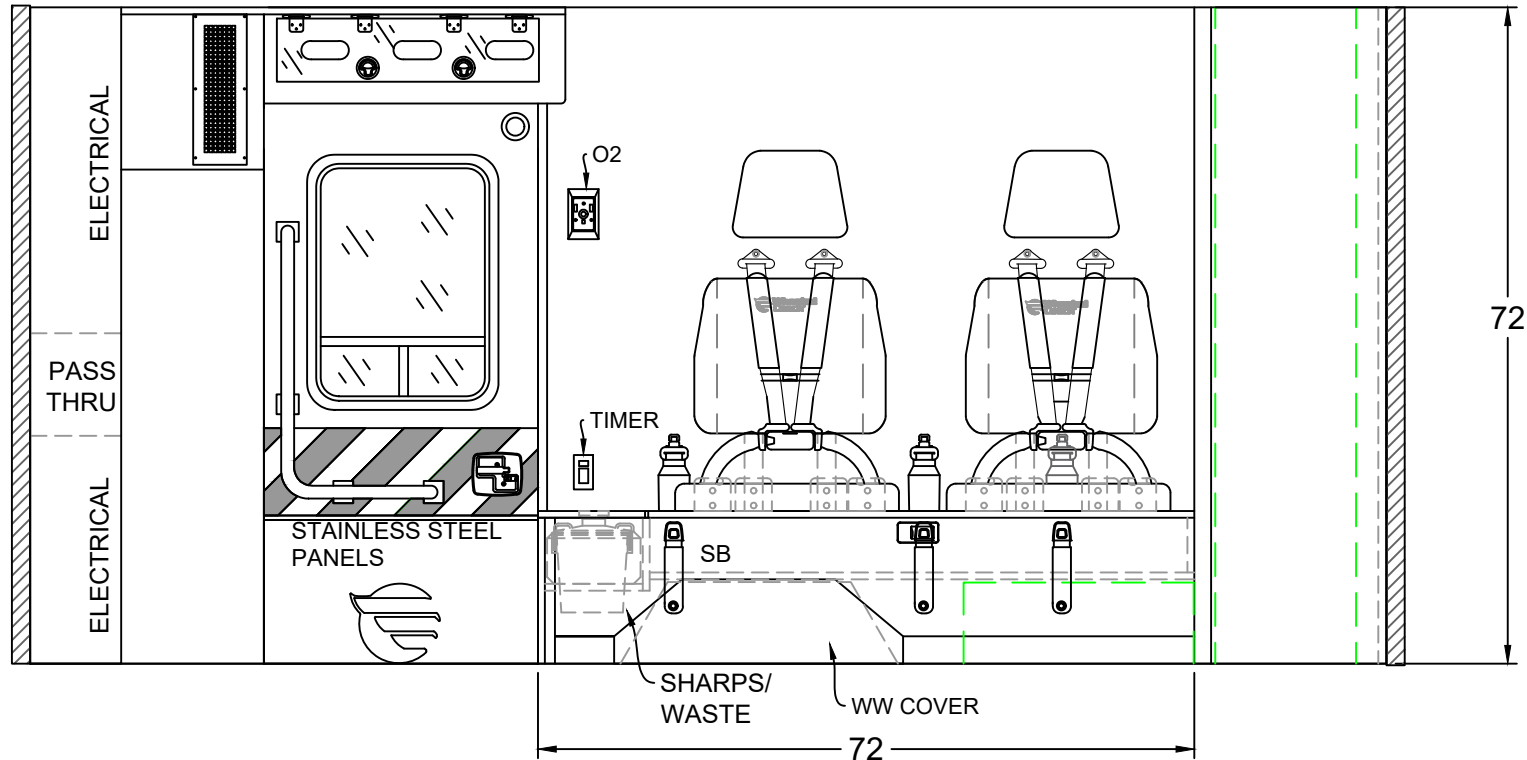
50" AISLE
CABINET WEIGHT RATINGS:
NON-RESTOCKING = 40 LBS.
RESTOCKING = 30 LBS.

BE ADVISED THAT THESE ARE PRELIMINARY LAYOUTS INTENDED TO ILLUSTRATE DESIGN INTENT AND DIMENSIONS ARE FOR REFERENCE ONLY PRIOR TO FINAL ENGINEERING

CA101740

MODEL 1153 FORD DIESEL

153 x 95 x 72



INTERIOR CABINET DIMENSIONS IN INCHES



TYPE 1 FORD 2021
RIGHT INTERIOR

COMPT.	HEIGHT	WIDTH	DEPTH		COMPT.	HEIGHT	WIDTH	DEPTH	
SB	5.75	60.75	16.75						

50" AISLE

CABINET WEIGHT RATINGS:
NON-RESTOCKING = 40 LBS.
RESTOCKING = 30 LBS.

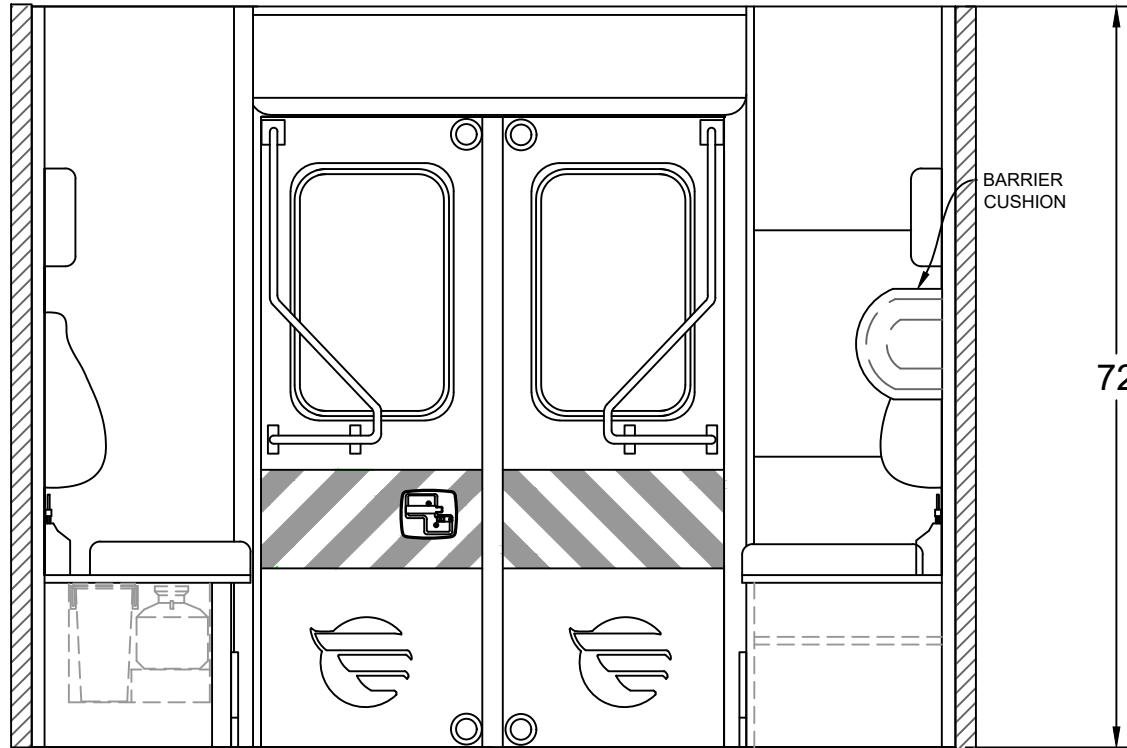
BE ADVISED THAT THESE ARE PRELIMINARY LAYOUTS INTENDED TO ILLUSTRATE DESIGN INTENT AND DIMENSIONS ARE FOR REFERENCE ONLY PRIOR TO FINAL ENGINEERING

DATE:	1/20/21	SCALE:	
DWG BY:	AP	DWG NO:	6 / 9

CA101740

MODEL 1153 FORD DIESEL

153 x 95 x 72



INTERIOR CABINET DIMENSIONS IN INCHES



TYPE 1 FORD 2021

REAR BULKHEAD INTERIOR

DATE: 1/20/21

SCALE

DWG BY

AP

DWG NO

7 / 9

COMPT.	HEIGHT	WIDTH	DEPTH		COMPT.	HEIGHT	WIDTH	DEPTH	

50" AISLE

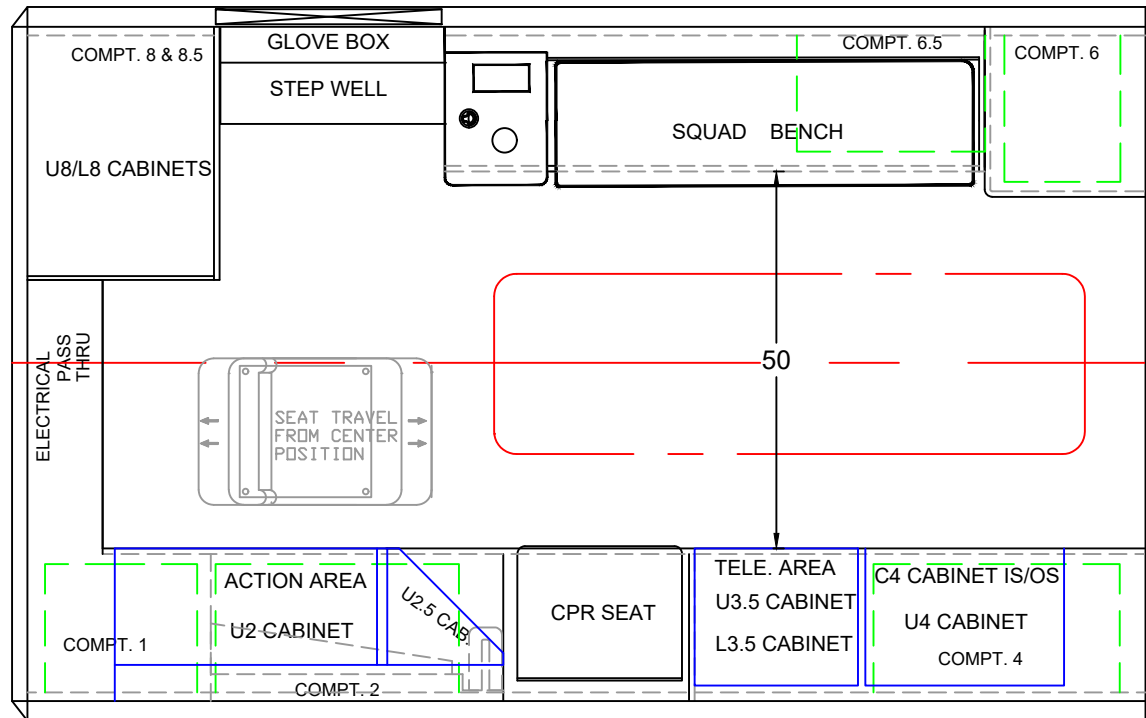
CABINET WEIGHT RATINGS:
NON-RESTOCKING = 40 LBS.
RESTOCKING = 30 LBS.

BE ADVISED THAT THESE ARE PRELIMINARY LAYOUTS INTENDED TO ILLUSTRATE DESIGN INTENT AND DIMENSIONS ARE FOR REFERENCE ONLY PRIOR TO FINAL ENGINEERING

CA101740

MODEL 1153 FORD DIESEL

153 x 95 x 72



BE ADVISED THAT THESE ARE PRELIMINARY LAYOUTS INTENDED TO ILLUSTRATE DESIGN INTENT AND DIMENSIONS ARE FOR REFERENCE ONLY PRIOR TO FINAL ENGINEERING

INTERIOR CABINET DIMENSIONS IN INCHES

CABINET	HEIGHT	WIDTH	DEPTH	CABINET	HEIGHT	WIDTH	DEPTH



TYPE 1 FORD 2021
FLOOR PLAN

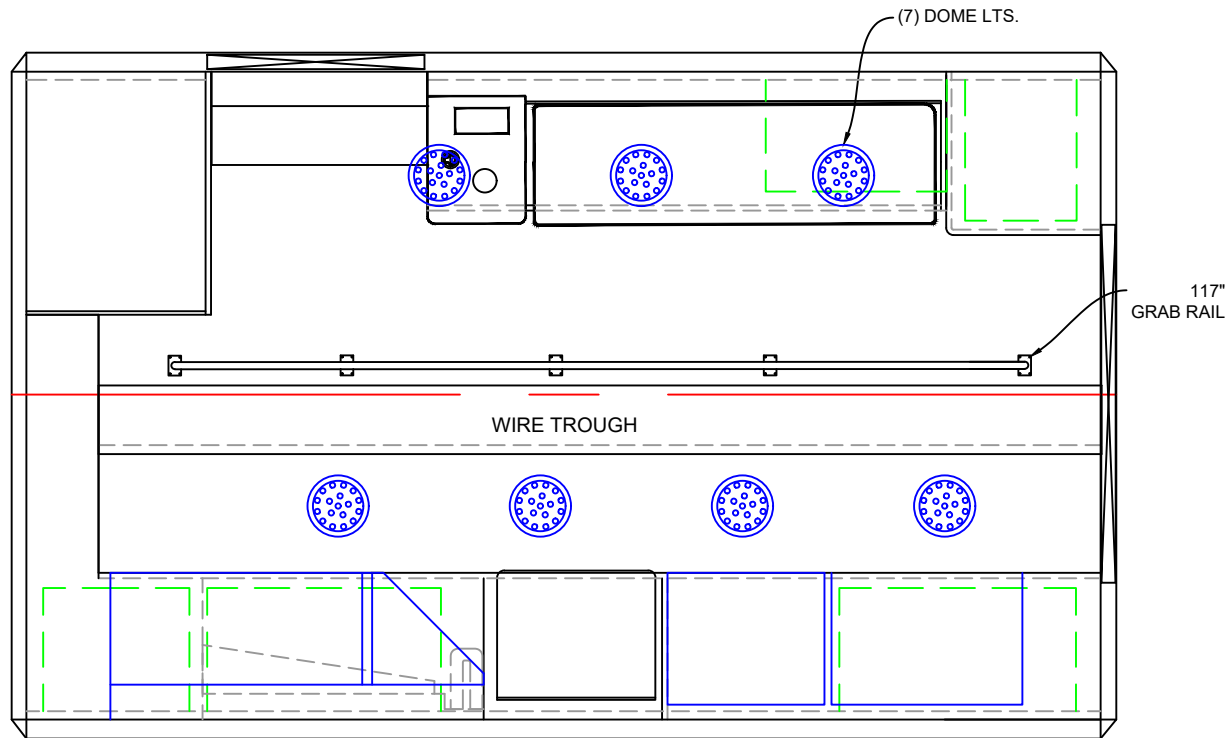
DATE:	1/20/21	SCALE:	
DWN BY:	AP	DWG NO:	8 / 9

50" AISLE

CA101740

MODEL 1153 FORD DIESEL

153 x 95 x 72



BE ADVISED THAT THESE ARE PRELIMINARY LAYOUTS INTENDED TO ILLUSTRATE DESIGN INTENT AND DIMENSIONS ARE FOR REFERENCE ONLY PRIOR TO FINAL ENGINEERING

INTERIOR CABINET DIMENSIONS IN INCHES

CABINET	HEIGHT	WIDTH	DEPTH	CABINET	HEIGHT	WIDTH	DEPTH



TYPE 1 FORD 2021

LINER

DATE: 1/20/21

SCALE

DWN BY: AP

DWG NO: 9 / 9

50" AISLE